

STASHED 



**SPACE
RAIL**

WALL MOUNT KIT

INSTRUCTIONS & INSTALLATION GUIDE

LIFE STORED BETTER




LIFE

GREAT KIT LETS US
GET MORE OUT OF LIFE


STORED

STASHED STORAGE SAVES SPACE
WITH NO LOSS OF ACCESS


BETTER

SIMPLY BETTER BY DESIGN



➔ STASHED PRODUCTS

Welcome to your life, stored better

At Stashed, we design and build premium space saving storage systems, so you can enjoy your life, stored better.

Our products are tough enough for business, trusted by professional athletes and are saving space for thousands of riders in homes all over the world.

Your product has been thoughtfully designed, tested and manufactured in Wales (UK) by people who are passionate about producing high quality products and care about protecting your kit as much as you do.

All our products are built to last and are covered by our no quibble 2-year guarantee in the unlikely event you'll need to use it!

Thank you for purchasing this product, we hope you enjoy using it as much as we enjoyed making it.

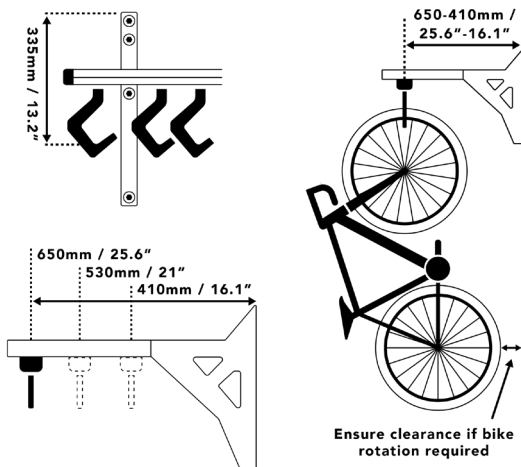
Stashed Products Team



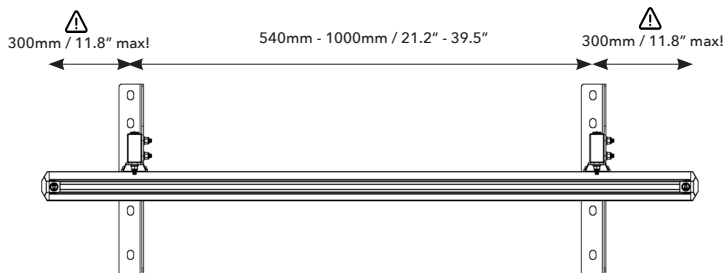


QUICK START

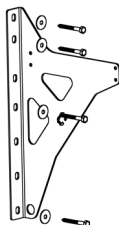
- ① 1. CHOOSE INSTALL POSITION AND MEASURE BIKES TO CHECK HEIGHT AND DISTANCE FROM OBJECTS



- ② 2. ASSESS POSITIONS FOR WALL BRACKET LOCATIONS ON MOUNTING STRUCTURE

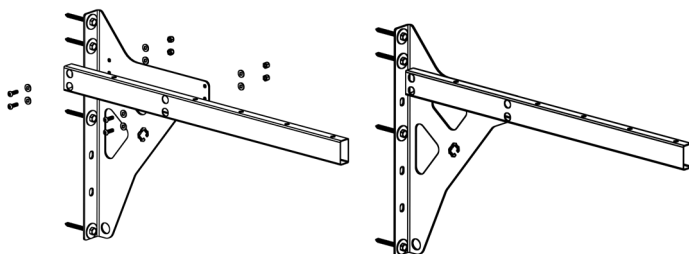


- ③ 3. INSTALL WALL BRACKETS TO VERTICAL STRUCTURE

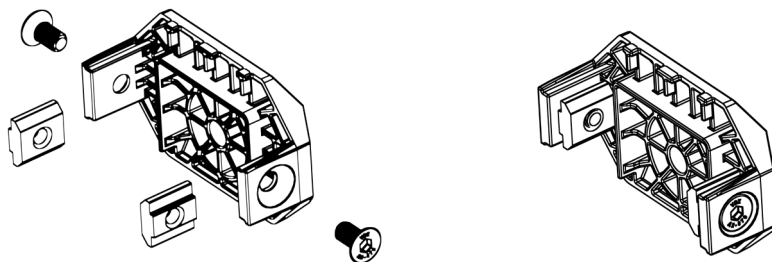




→ 4. ASSEMBLE TUBES TO WALL BRACKETS.

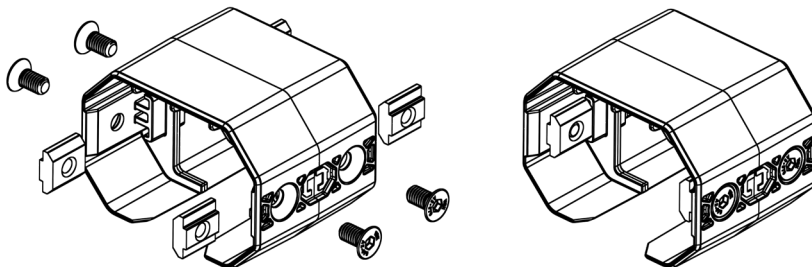


→ 5. ASSEMBLE END CAPS. DO NOT FULLY TIGHTEN



→ 6. ASSEMBLE JOINER. DO NOT FULLY TIGHTEN

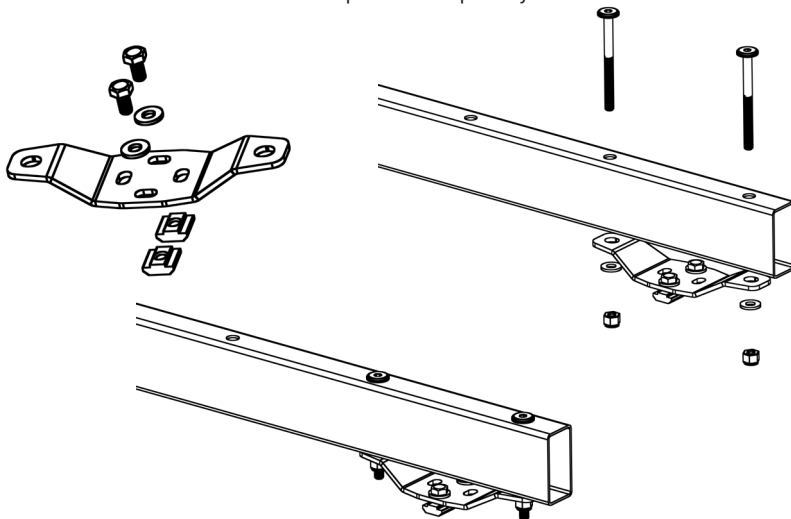
If applicable





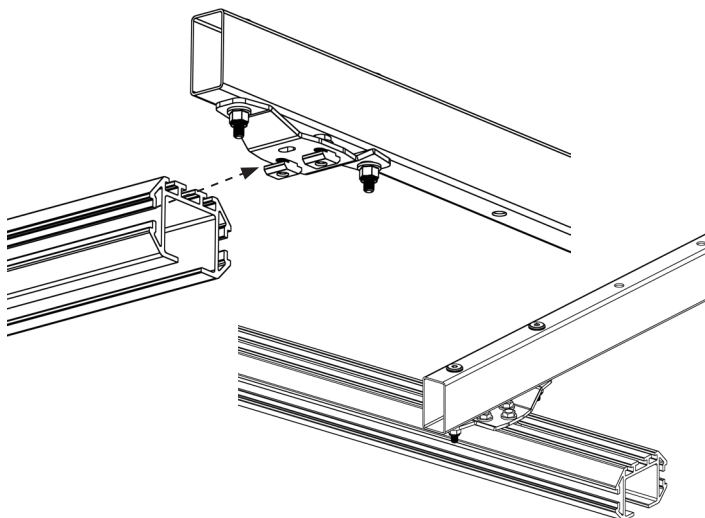
⑦ 7. ASSEMBLE RAIL MOUNTS TO TUBES AND LOOSELY TIGHTEN

Note: Rails and Rail Mounts must be purchased separately



⑧ 8. INSTALL RAIL INTO RAIL MOUNTS

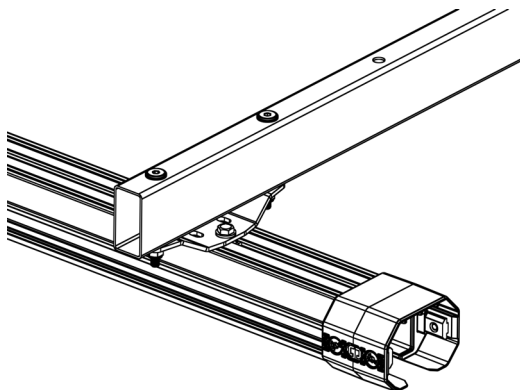
Note: Rails and Rail Mounts must be purchased separately



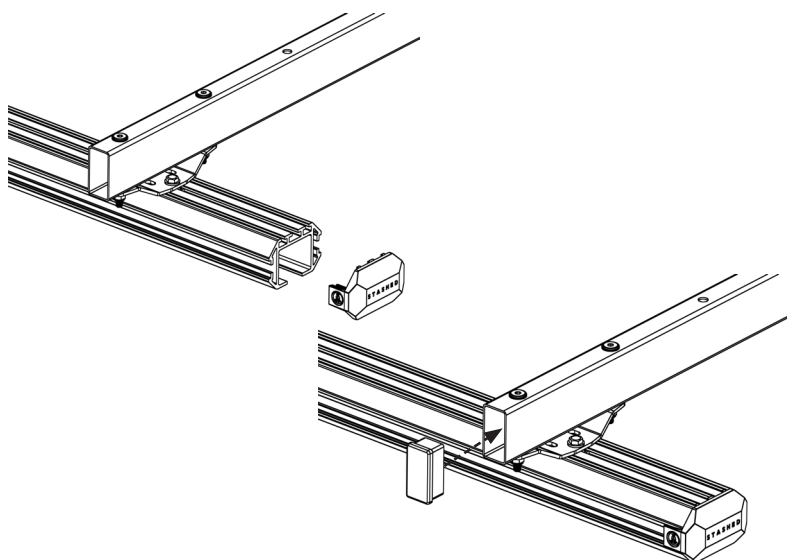


⑨ 9. INSTALL JOINER AND HANG ADDITIONAL RAIL(S), FOLLOWING THE SAME PROCESS

If applicable



⑩ 10. INSERT TROLLEYS (REFER TO [SPACERAIL HOOK INSTRUCTIONS](#)). INSERT END CAPS. INSERT TUBE PLUGS. CHECK ALL COMPONENTS HAVE BEEN SECURELY TIGHTENED





CONTENTS

Stashed Products	1
Quick Start	2
General Notes	7
Technical Specification	8
Warnings	9
Parts Identification	10
Tools and Fasteners Required	12
System Layout Recommendations	13
Fundamentals	13
→ Mounting Height	14
→ Shelf Board Mounting	14
→ Wall Bracket Orientation	15
→ Suggested Mounting Locations	16
Installation	18
→ Locate Position and Mark Bracket Location	18
→ Attach Wall Bracket to Wall	18
→ Assemble Tubes to Wall Brackets	19
→ Assemble End Caps	20
→ Assemble Joiner	21
→ Assemble Tube Plate to T-Nuts	22
→ Assemble Rail Mounts to Tubes	22
→ Install Rail into Rail Mounts	23
→ Install Additional SpaceRail Kit	24
→ Insert Hooks and End Caps	25
→ Insert Tube Plugs and Tighten Fully	25
FAQ	26
Warranty>Returns	26
Maintenance	27



GENERAL NOTES

These instructions are for mounting the SpaceRail Wall Kit to a suitable mounting structure such as a wall or a structure made by you. Please refer to your other products for their own instructions.

⚠ WARNING: THIS KIT IS NOT SUITABLE FOR INSTALLATION SOLELY INTO PLASTER BOARD OR A NON-LOAD BEARING STRUCTURE. IT MUST BE SECURELY ATTACHED TO A ROBUST STRUCTURE SUITABLE OF SUPPORTING THE LOAD!

Appropriate DIY experience is required to install this system correctly, if in doubt get a professional to help.

Take time to fit your SpaceRail Wall Kit correctly. A poorly fitted SpaceRail will stop the system running correctly and reduce the performance, possibly leading to it not holding the loads stated and reducing your enjoyment using it.

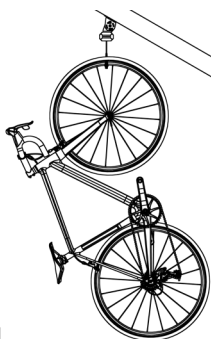
Each SpaceRail Kit is suitable for up to 4 bikes, but an unlimited number of additional SpaceRail Extension Kits can be added to increase bike storage capacity. Depending on the type and size of the bikes to be stored, the addition of a SpaceRail Extension Kit may be required to ensure suitable access.

If you are unsure on how to fit or use this product, please reach out and ask our experts or look for fitting examples and instruction videos on our website www.stashedproducts.co.uk

SpaceRail can also be mounted to ceilings and angled ceilings. Please visit our [website](#) or use the QR codes to find out more about alternative mounting options.

Rail Kit and Hooks are sold separately

Angled Ceiling Mounted



Scan for info


Ceiling Mounted



Scan for info



TECHNICAL SPECIFICATION

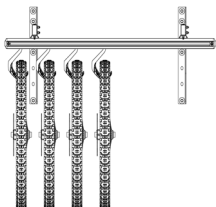
-  ATTACHES DIRECTLY TO A VERTICAL STRUCTURE SUCH AS BRICK, SOLID BLOCKS, METAL, CONCRETE OR TIMBER THAT IS CAPABLE OF SUPPORTING THE LOAD. IT IS YOUR RESPONSIBILITY TO ENSURE THE STRUCTURE IS OF SUITABLE LOAD BEARING CAPABILITY.
- Fixing kit for timber is included. Fixings for other materials such as blockwork, concrete or brick are not included. The system is infinitely extendible and is only limited by availability of suitable mounting structure.
- Component materials the Wall Mounts: Powder Coated Mild Steel, BZP Steel.
- The wall brackets can be used as a shelf by adding a board fitted by the user. The maximum load per rail/wall bracket pair should still be observed when placing items on the shelf.
- The suggested bikes per rail and max loads and approximate total rail length including end caps, is shown in the table below. There may be a minor variation in total rail length when joiners are used to connect rails.

NUMBER OF BIKES	NUMBER OF RAILS	TOTAL LENGTH (OUTSIDE OF END CAPS)	MAX LOAD/INDIVIDUAL RAIL (KG / LBS)	MAX TOTAL LOAD PER SYSTEM (KG / LBS)
1-4	1	114cm / 45"	100kg / 220lbs	100kg / 220lbs
5-8	2	228cm / 90"	100kg / 220lbs	200kg / 440lbs
9-12	3	342cm / 135"	100kg / 220lbs	300kg / 660lbs
13-16	4	456mm / 180"	100kg / 220lbs	400kg / 880lbs
17-20	5	570cm / 224"	100kg / 220lbs	500kg / 1100lbs
21-24	6	684cm / 269"	100kg / 220lbs	600kg / 1320lbs
25+	THERE IS NO LIMIT TO THE NUMBER OF BIKES SPACERAIL CAN STORE. ADD MORE RAILS AS REQUIRED			

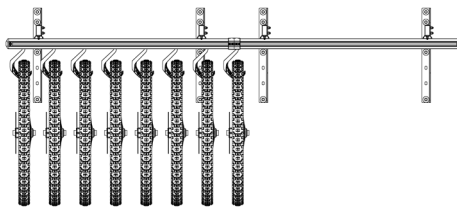
* When storing four or eight bikes, a SpaceRail Extension Kit may be required to allow enough space for bike movement and access. For example, we suggest that four road bikes would be acceptable on a single SpaceRail Kit, but four mountain bikes with wide handle bars might compromise access and may require an extension kit.



SpaceRail Wall Kit



SpaceRail Wall Kit with Additional Wall Kit



WARNINGS

⚠ STASHED PRODUCTS DOES NOT TAKE RESPONSIBILITY FOR THE STRUCTURE THAT THE PRODUCT IS INSTALLED TO. IN USING THIS PRODUCT, THE CUSTOMER AGREES TO TAKE ALL NECESSARY MEASURES TO ENSURE THE STRUCTURE IS SUITABLE.

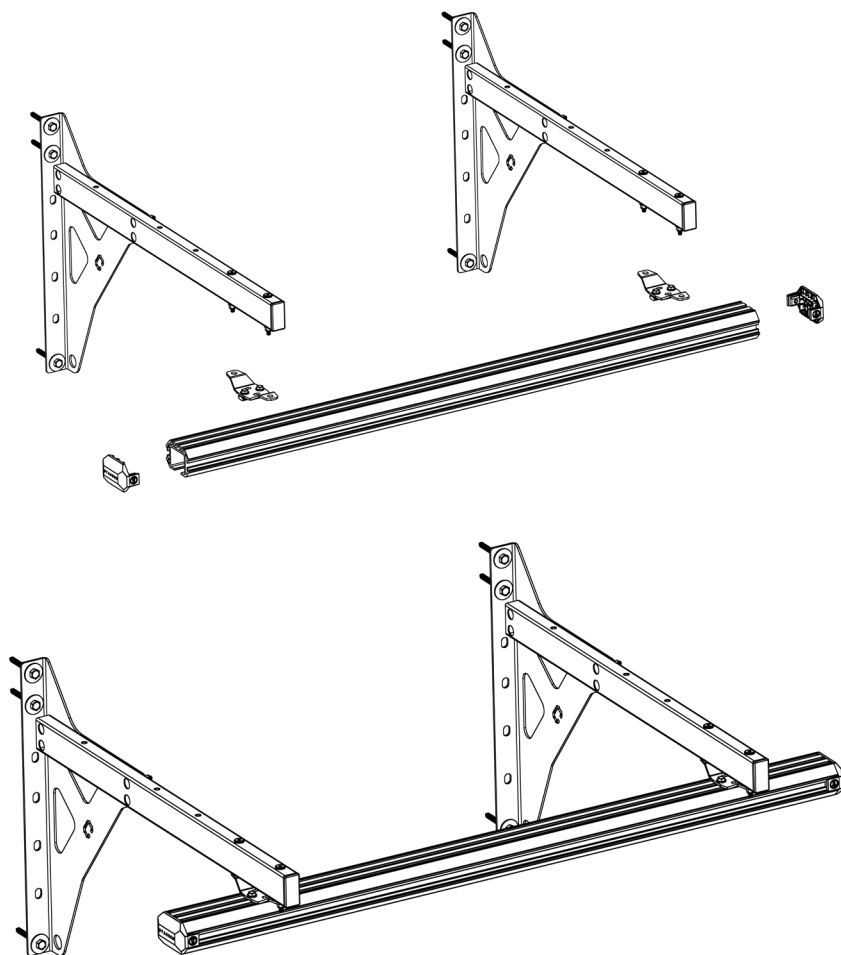
- Although every effort has been taken to remove sharp edges, the end of the rail can still be sharp, so take care when handling or installing this product.
- Objects can fall from the SpaceRail system if not hung correctly.
- Do not suspend a secondary rail solely from the first rail without support, even momentarily during installation.
- Ensure End Caps are secured correctly. If they are not there is a chance of Bike Hooks falling from the SpaceRail.
- Do not bump the End Caps with the Bike Hook during bike movement. It is not intended to absorb heavy impacts.
- The SpaceRail Kit is not suitable for shock loads. Gently place objects on to the Bike Hook.
- Not to be used by children or as a toy!
- When using power tools to install this product always wear the appropriate safety equipment.
- Check bike is safe for use and all hanging adapters have been removed every time it is taken off the SpaceRail.
- **⚠ NEVER USE FOR HUMAN SUSPENSION!**
- **⚠ WARNING: CANCER AND REPRODUCTIVE HARM. SEE WWW.P65WARNINGS.CA.GOV**



PARTS IDENTIFICATION


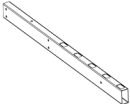

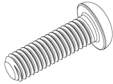




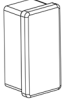
① SPACERAIL WALL KIT

Each Kit contains one pair of Wall Brackets. More will be needed for multi-rail installations. We recommend two brackets per rail kit.





SPACERAIL WALL MOUNT KIT PARTS

PART	IMAGE	QUANTITY
Wall Bracket		2
Wall Tube		2
M6 Nyloc Nut		12
M6 x 20mm Socket Button Screw		8
M6 x 70mm Joint Connector Bolt		4
M6 Washer		20
M8 Hex Head Screw		8
M8 30mm x 1.5mm Penny Washer		8
Tube End Plug		2

4mm Hex key also included

***RAIL KIT AND HOOKS ARE PURCHASED SEPARATELY**



TOOLS AND FASTENERS REQUIRED

Fixing kit for timber is included. Fixings for other materials such as blockwork, concrete or brick are not included. If you are unsure please consult a person with suitable DIY or building experience.

- 4mm hex key (included)
- 10mm Spanner
- Spirit Level
- Pencil
- Tape Measure
- 13mm Driver Bit
- 4mm Drill Bit for Timber
- Driver bit for fasteners other than timber
- Electric Drill
- Impact Driver
- Stud Finder*
- A helper*


* Not essential, but makes the installation easier and safer.

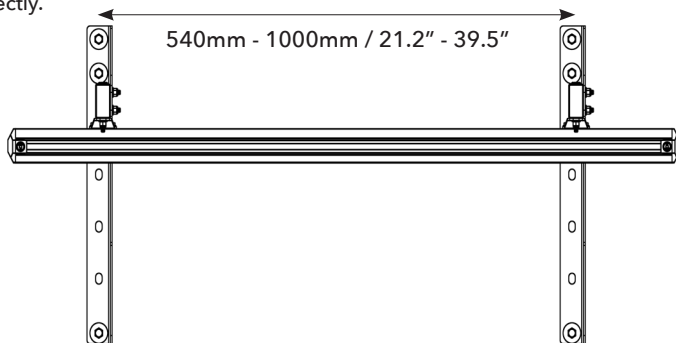


SYSTEM LAYOUT RECOMMENDATIONS

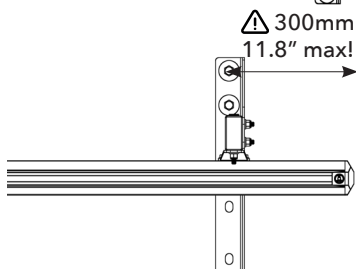
➔ FUNDAMENTALS

Your SpaceRail Wall Mount Kit is adaptable to many different situations, but a few fundamental mounting rules should be followed:

-  **BE AWARE OF WATER AND GAS PIPES AND ELECTRICITY CABLES. ALWAYS TAKE ADVICE FROM A PROFESSIONAL IF YOU'RE UNSURE.**
- Each Rail must be suspended from at least two Wall Brackets, each with multiple wall fixings. Additional Wall Brackets can be used to add extra support and share the load further.
- Locate mounting points that are structurally suitable so that the kit can be installed so the rail is flat and parallel. Check with a spirit level.
- Wall Brackets are adjustable on the rail and should be located 540mm-1000mm / 21.2" - 29.5" apart to fit with your mounting structure. Most buildings have studs at around 400mm / 15.7", 500mm / 19.7" or 600mm / 23.6" spacing. If your wall is boarded and structural mountings are not visible, then we suggest using a Stud Finder tool as it is essential you locate the supporting structure correctly.



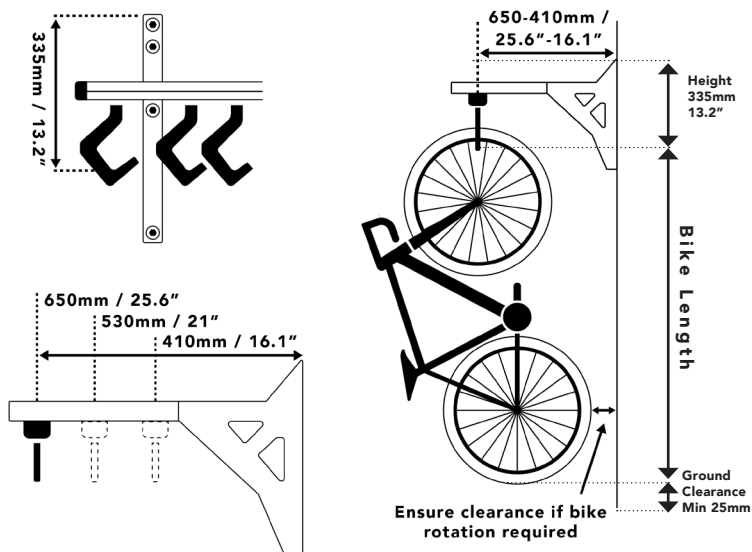
- The maximum cantilever length from the centre of the Wall Brackets to the end of the Rail is 300mm / 11.8".





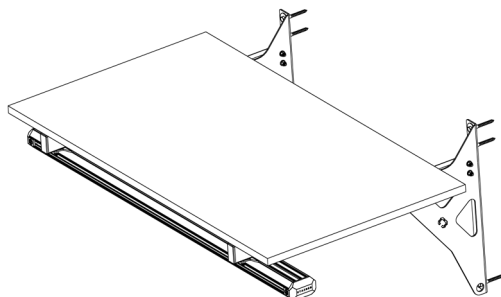
→ MOUNTING HEIGHT

- Ensure you have enough height to hang your bikes with the wheels off the floor. The Rail and Trolley requires roughly 335mm / 13.2" of height allowance from the top of the wall bracket to the inside of the bikes' front wheel rim.



→ SHELF BOARD MOUNTING

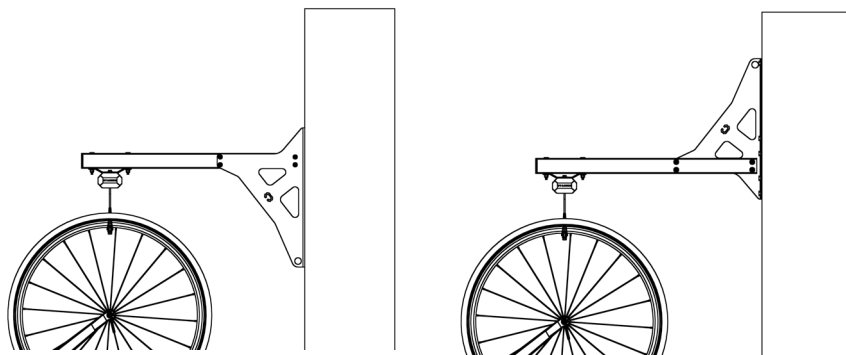
- A shelf board (not included) can be added to the wall brackets to create additional storage. The overall load limit per rail section should still be observed - 100kg / 220lbs per rail including the bikes, shelf and contents spread across the rail length. Screw holes are provided in the tubes for attaching a shelf board (fixings are not included).



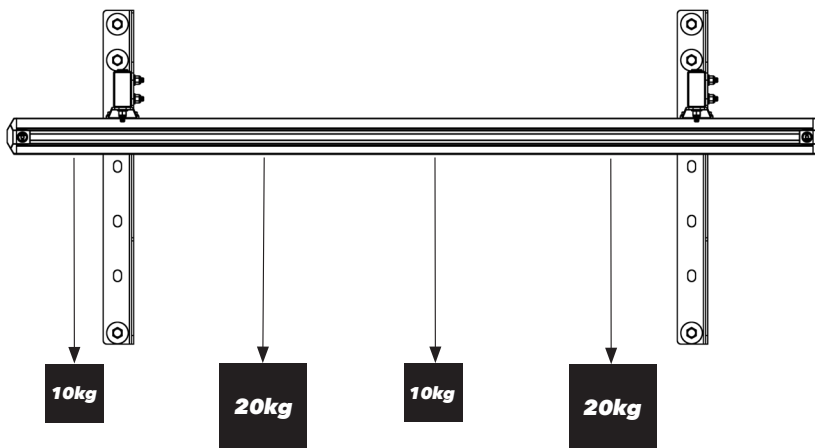


③ WALL BRACKET ORIENTATION

- The Wall Brackets can be used either way up.
- A combination of orientations can be used to improve strength or to fit around obstacles. Always use the extremity holes and two additional holes.



- Always spread the load across the Rail length with the heaviest bikes spread out and not clustered at one end or all in one area. This will help to share the loads across multiple wall brackets.

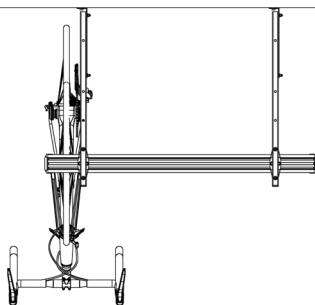




➔ SUGGESTED MOUNTING LOCATIONS

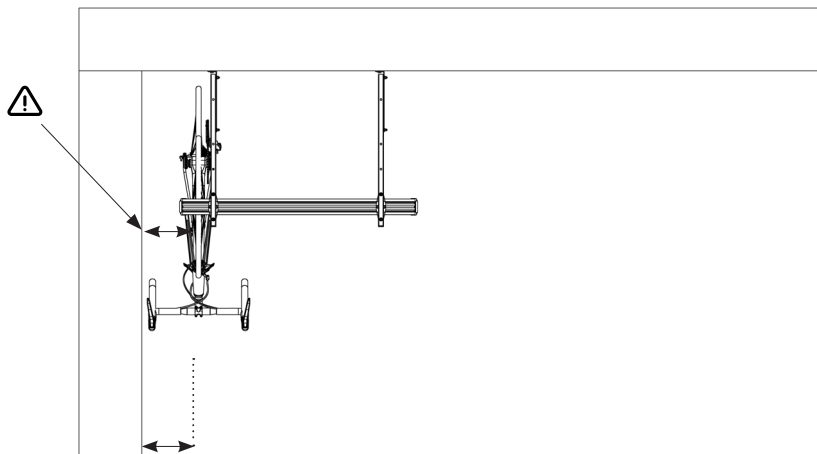
OPEN ENDED AND FREE SPACE

- The SpaceRail Wall Kit can be mounted parallel with a wall with both ends of the system accessible, or can be located in free space.



CORNER

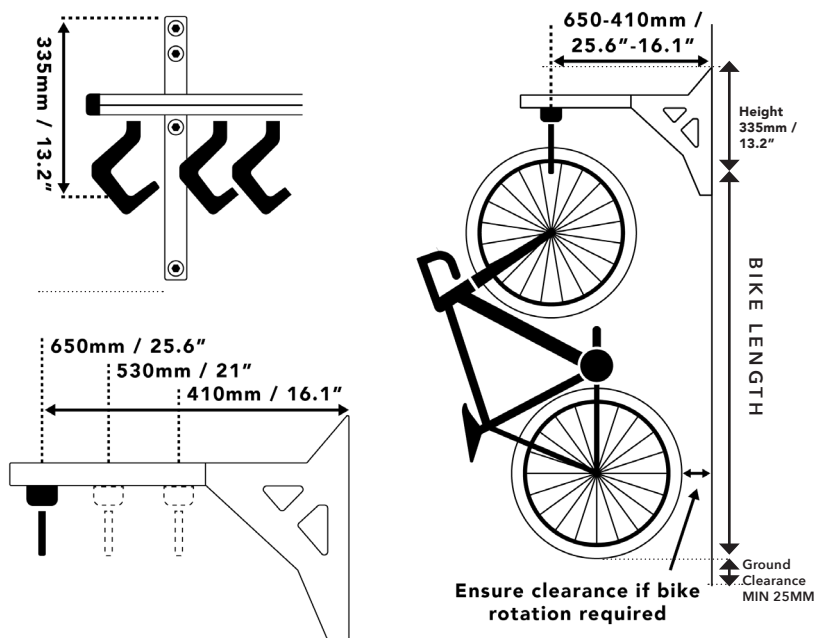
- If mounting in a corner make sure the handlebars of the end bike are not touching the wall.
- Measure the bike from the centre of the stem to the end of the handlebars. Use this dimension to ensure your SpaceRail is far enough away from the end wall to utilise the full length of the rail. We recommend that the handlebar of the end bike is near to, but not touching the wall.





MOUNTING PARALLEL TO A WALL

- The distance required to mount your SpaceRail Kit away from any parallel wall is depends on the size of your bikes and if rotation is required once hung.
- Locate the largest bike you are planning on storing and measure the length and depth to ensure it spins freely once hung. For bikes with wide handlebars this dimension might also need to be taken in to account.
- To allow bikes to slide and spin freely the bikes should not rest against the wall once hung, although this is possible providing hooks are not angled in the rail and scraping the sides of the rail.
- As a general rule, the Rails' default mounting position is the furthest setting out at 650mm / 25.6" from any walls to ensure bikes can spin and slide freely. There are two other fixed positions - 530mm / 21" and 410mm / 16.1". These positions will limit the ability to spin bikes once hung up.





INSTALLATION

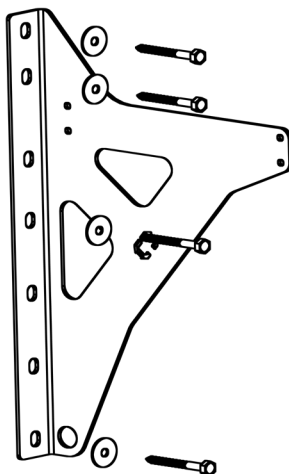
➞ LOCATE POSITION AND MARK BRACKET LOCATIONS

⚠ THE WALL BRACKET MUST BE SCREWED TO A ROBUST STRUCTURE AND NOT SOLELY ATTACHED TO PLASTERBOARD OR NON LOAD BEARING MATERIALS!

- Ensure the points where the Wall Brackets are to be mounted are flat, of solid structure and parallel. If not then the Rail could be mounted at an angle, misaligned or twisted and will not function correctly.
- If you are installing more than one Rail, measure the distance between mounting points to ensure the structure available is suitable at every Wall Bracket location.

➞ ATTACH WALL BRACKETS TO WALL

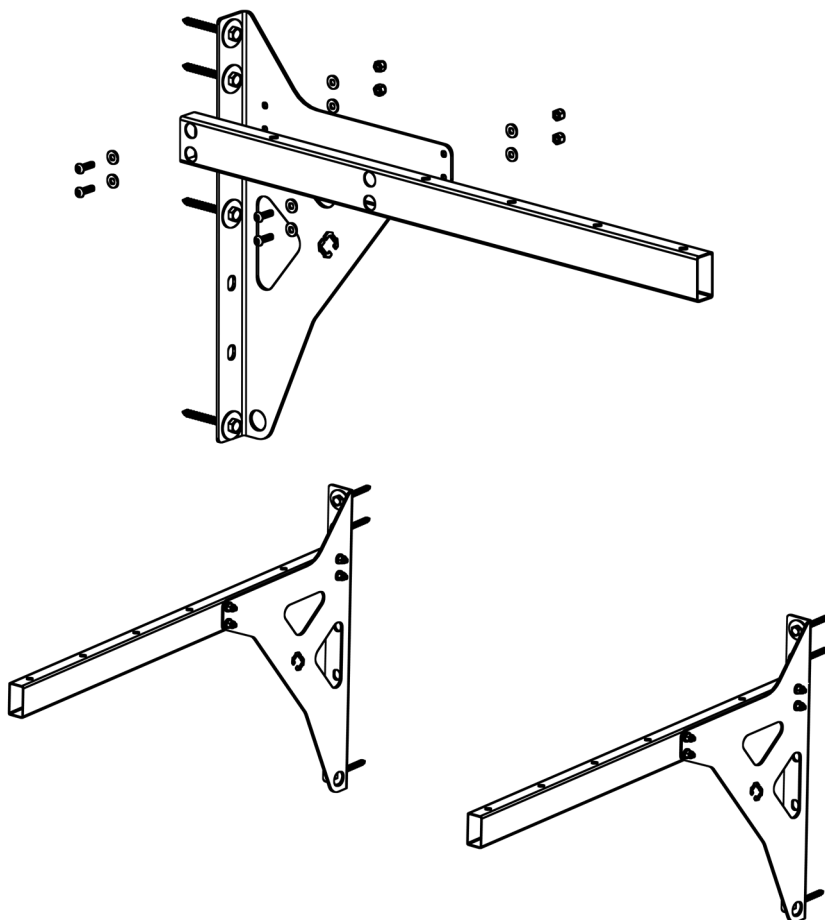
- Attach wall brackets to wall using appropriate fixings.
- If you are installing more than one Rail, then mount all brackets and check they are level with each other and vertical with a spirit level.
- Use as many bracket fixing points as needed to spread the load across the mounting surface. It is also a good idea to spread the load with supplementary wall battens or boards across the wall if needed. (Only timber fixings are included)





① ASSEMBLE TUBES TO WALL BRACKETS

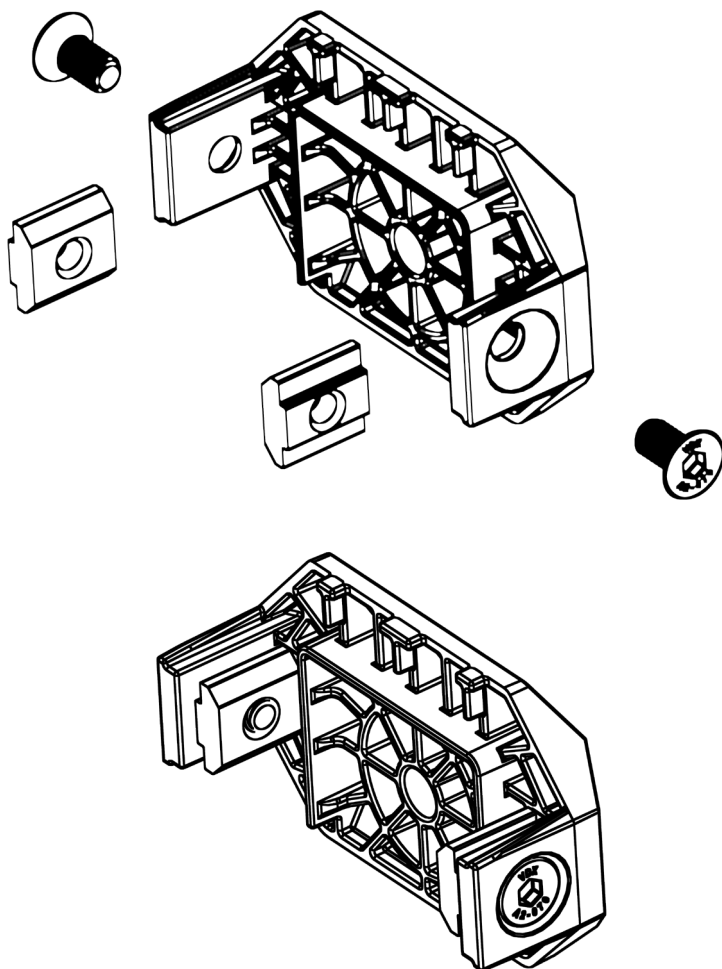
- Place the M6 x 20mm Bolts through the M6 Washers. Place through the holes in the tubes and attach to the wall bracket
- Add M6 Washers and thread on the M6 Nyloc Nuts. Do not crush side of tube by over tightening.
- Repeat for all Wall Brackets.





➔ ASSEMBLE END CAPS

- Place the M6 x 12mm Countersunk Bolts through the countersunk holes in the sides of the End Cap and loosely screw to T-Nuts. Do not tighten fully.

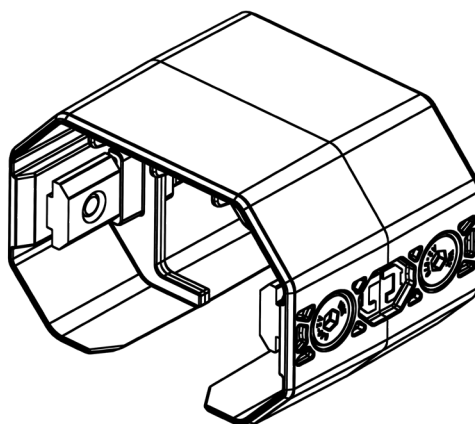
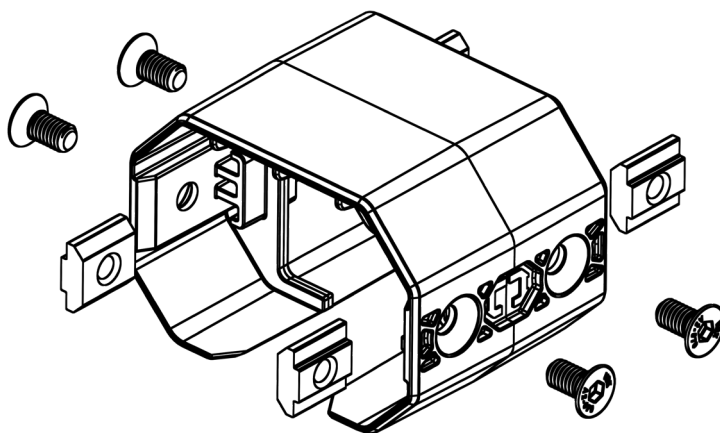




➔ ASSEMBLE JOINER

If applicable

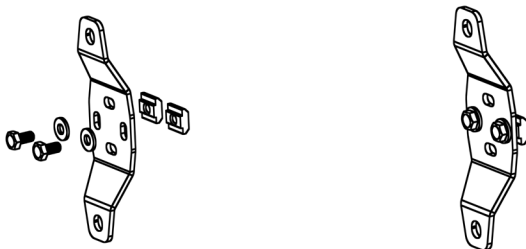
- Place the M6 x 12mm Countersunk Bolts through the countersunk holes in the sides of the Joiner and loosely screw to T-nuts. Do not tighten fully.





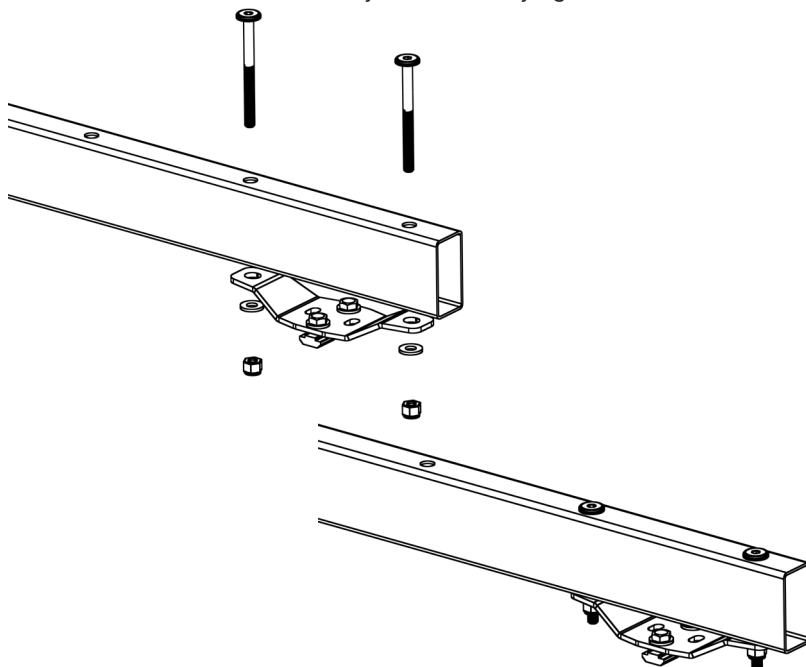
⊙ ASSEMBLE RAIL MOUNTS TO T-NUTS

- NOTE: Rail Mounts are included with the Rail Kit which is purchased separately.
- Place the M6 x 12mm Hex Bolts through the M6 Washers and then through the holes in the Ceiling Plates and loosely screw to the T-Nuts. Do not tighten fully.



⊙ ASSEMBLE RAIL MOUNTS TO TUBES

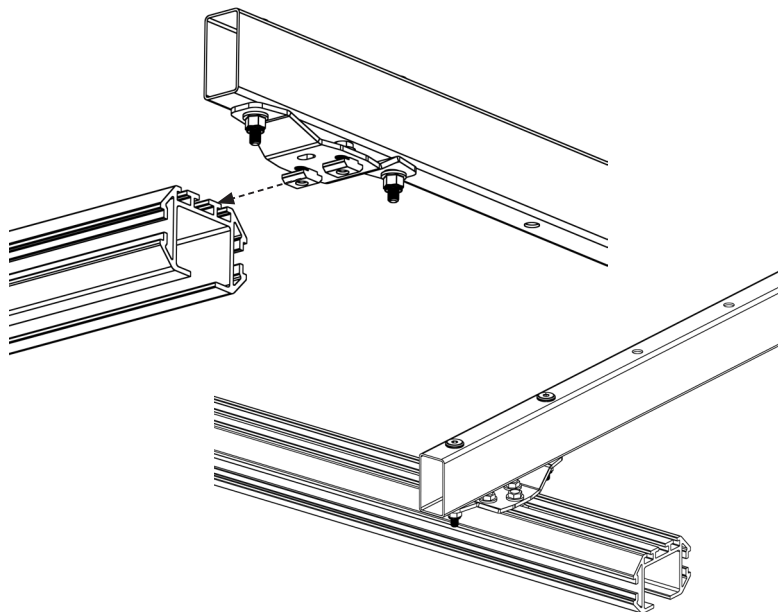
- Place M6 x 70mm bolts through tubes. Attach the Rail Mounts to the tubes, using an M6 washer and then the M6 Nyloc Nut. Loosely Tighten.





➔ INSTALL RAIL INTO RAIL MOUNTS

- Slide Rail into position by aligning T-Nuts into the track on top of Rail on both wall brackets.
- Once the Rail is positioned correctly and square to Wall Brackets with no skewing, fully tighten nuts and bolts.



Note: Ensure the Rail is level, parallel with any surrounding objects and not bent, twisted or distorted from the installation process.

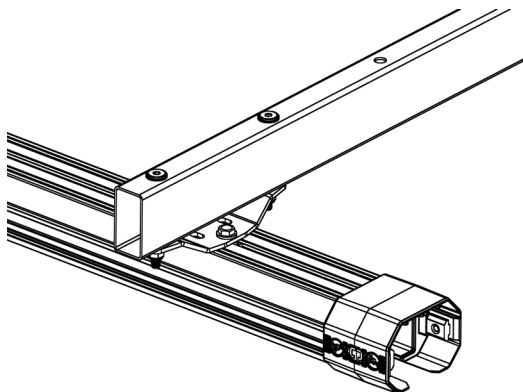
- Check using a spirit level and adjust as necessary.



➔ INSTALL ADDITIONAL SPACERAIL KIT

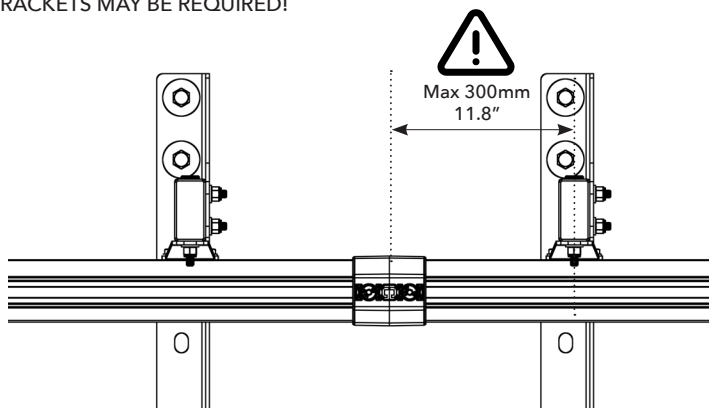
If applicable

- Before fitting the second Rail to the mounting structure, attach the Rail Joiner to the Rail and loosely tighten the M6 x 12mm Bolts to hold it in place.



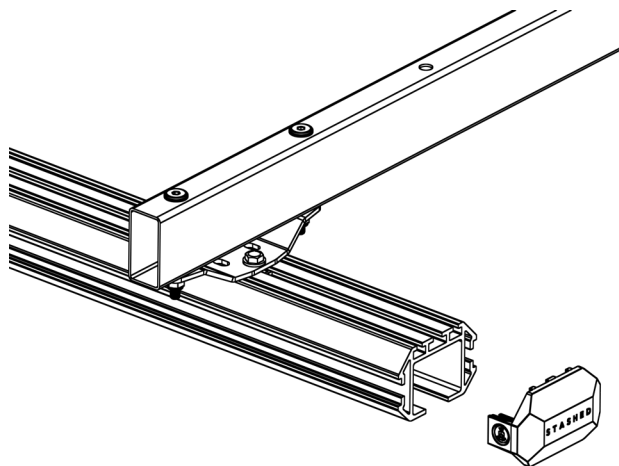
- Install second Rail as per the first by sliding T-Nuts into the top of the Rail slot.
- Fit the second Rail to the first Rail - keep well supported. Do not rely on the Joiner component alone to support the second Rail!
- Ensure both Rails are parallel and aligned concentrically. Tighten the second Rail to the Tube Plates and equally tighten bolts in Joiner to 2.5Nm.

⚠ WARNING: DO NOT MOUNT WITH CENTRE OF JOIN MORE THAN 300MM / 11.8" FROM THE CENTRE OF A WALL BRACKET. IF YOU CANNOT ACHIEVE THIS THEN EXTRA WALL BRACKETS MAY BE REQUIRED!





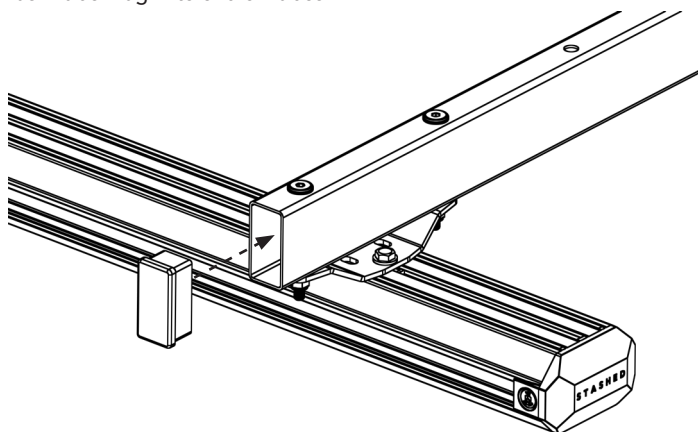
- INSERT TROLLEYS (REFER TO [SPACERAIL HOOK INSTRUCTIONS](#)).
INSERT END CAPS



- Insert Trolleys in to Rail (see SpaceRail Hook Instructions) and ensure they run freely and smoothly the whole length of the Rail. Repeat process for second End Cap.

- INSERT TUBE PLUGS. CHECK ALL COMPONENTS ARE FULLY TIGHTENED BEFORE USE

- Push Tube Plug in to end of Tubes.





FAQ

My Bike Hook keeps rolling on its own

- Check the level of your Rail. Adjust Wall Brackets if necessary.

Can I shorten the Rail?

- Yes! You can cut the Rail to any length you require, but be sure to de-bur the ends well with a small file. We recommend using a power chop saw with blade suitable for aluminium. Do not attempt this with a hack saw.

My Trolley gets stuck in the joint

- Rails are not positioned or aligned correctly. Remove all bikes, adjust Rails and refit.

I cannot spin my bikes or access them easily

- Change bike order to improve access.
- Rail length is not long enough so add additional SpaceRail Extension Kit.

How many Rails can I join?

- The number of Rails that can be joined together is unlimited and is only constrained by the available support structure. Consult a structural engineer if you are unsure of the maximum load your structure can support.

Can I recycle Stashed Products packaging at home?

- Yes! Our cardboard packaging is biodegradable and can be used in home composting or can be recycled in household recycling collections.

WARRANTY/RETURNS

All hardware are covered by a 2-year no quibble warranty.
Please see our website for full details.

If any issues arise outside of the warranty period, then we have designed our products to be easily serviceable to ensure they have a long life in service. All parts are available separately from our website.

If you have problems with your product or questions, please contact us for support.

Sales@stashedproducts.co.uk



MAINTENANCE

Your Rail Kit is generally very low maintenance and should give years of trouble free use. Some basic maintenance tips:

- Ensure the Rail is kept clean and free from debris, this is especially important on the faces where the Bike Hook wheels run.
- Clean your Rail with a soft cloth or use compressed air to remove debris from hard to reach areas.

PERIODIC CHECKS

- Structural integrity of the mounting area.
- Grease bullet of the trolley - taking care not to get grease on the top cap.
- Tightness of all bolts and screws.
- Wear to any components such as wheels or impact areas.
- Ensuring free movement of trolleys when loaded.
- Ensuring mechanisms function correctly when unloaded.



NOTES



NOTES

STASHED

MADE IN WALES by STASHED PRODUCTS

Unit 6 Abermule Business Park,
Abermule, Powys, SY15 6FB, UK

www.stashedproducts.co.uk
sales@stashedproducts.co.uk

Tel +44 (0) 3301 334 836
WhatsApp +44 (0) 7575 032 418

Got a great install? Share it at

@STASHEDPRODUCTS

#LIFESTOREDBETTER

