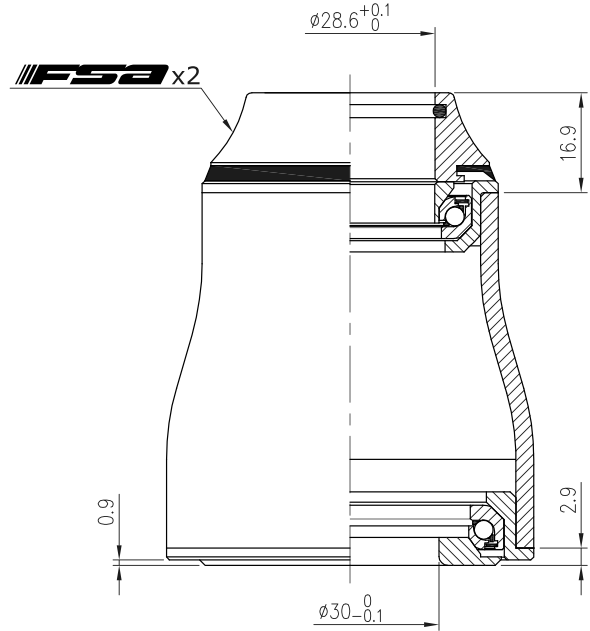
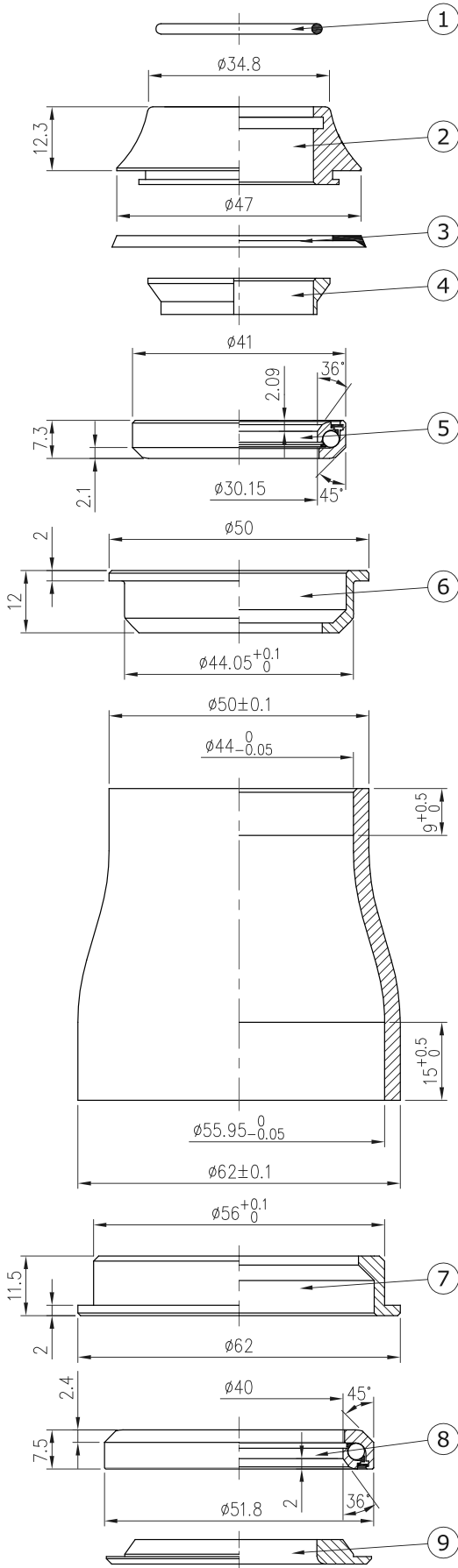


Internal Headset (CC)

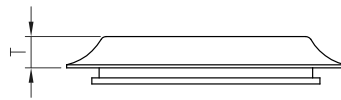
Orbit 1.5E ZS-1

NO.57E-1

1-1/8", 36°/ 45° ACB



Stack Height $16.9+2.9=19.8$



Custom cone spacer		
Item No	T	Stack Height
H2051A	5.3mm	12.8mm



Weight - 129.6 grams

- For tapered 50mm / 62mm OD head tube
- 1-1/8" steerer
- Alloy top cover
- Upper: Forged alloy cup with ACB (Black seal)
Lower: 1.5" CNC machined alloy cup with ACB (Black seal)

No	Item No	Material	Qty
⑨	H6089{NO.57-1-6}	Alloy	1PCS
⑧	MR019{073/DJ-RS}	Chrome steel	1SET
⑦	H5068{NO.57-5}	Alloy	1PCS
⑥	H4098	Alloy	1PCS
⑤	MR040{873/DJ-RS}	Chrome steel	1SET
④	H2036{NO.5-2}	Alloy	1PCS
③	MS073	Rubber	1PCS
②	H2051B	Alloy	1PCS
①	MS053{872}	Rubber	1PCS

