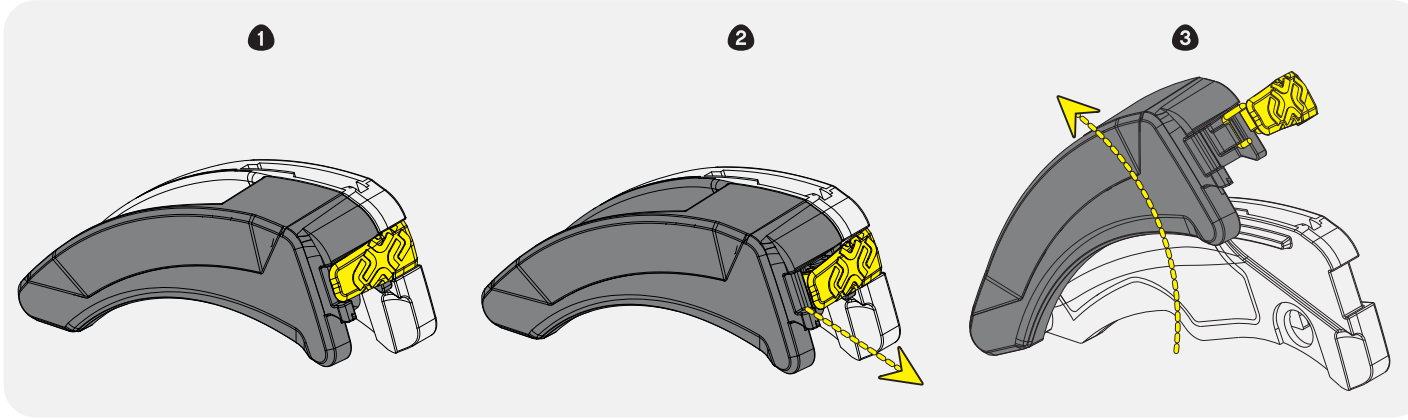
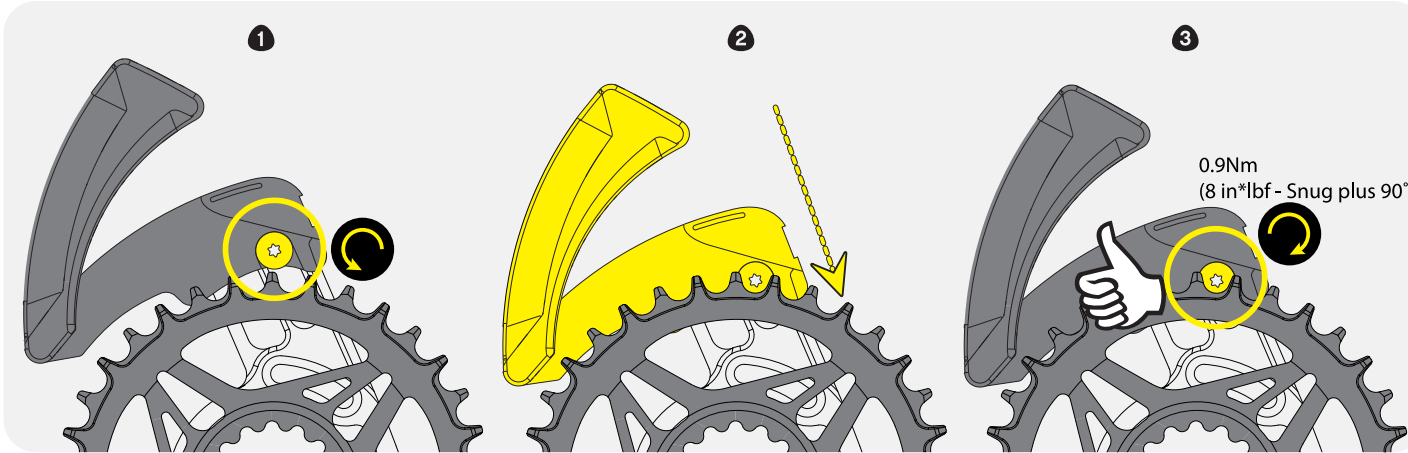


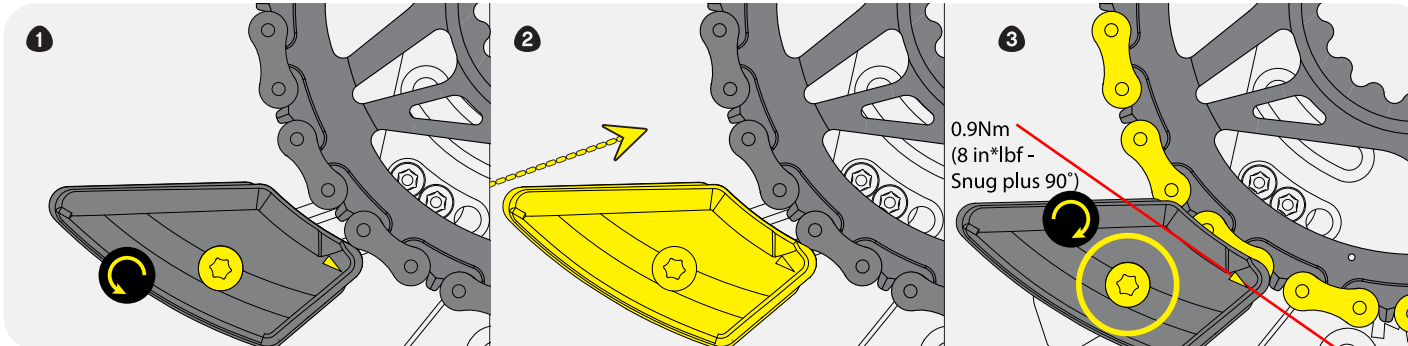
### OPENING UPPER SLIDER



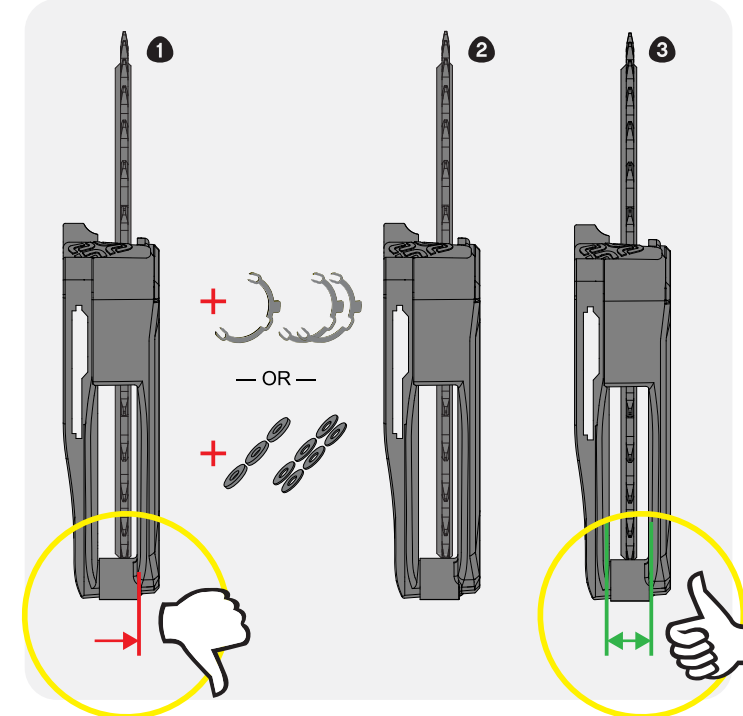
### SET UPPER SLIDER POSITION



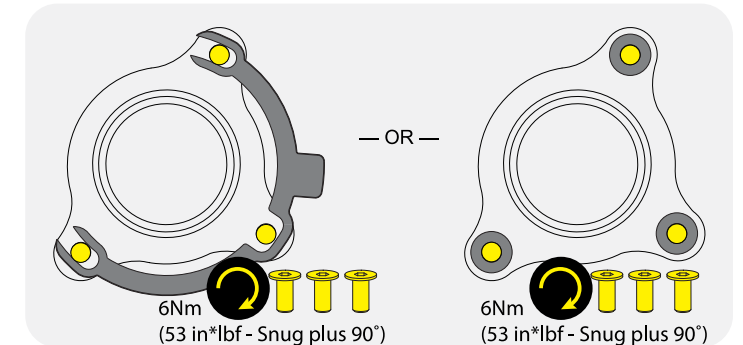
### SET LOWER SLIDER POSITION (LG1 ONLY)



### ADJUST CHAINLINE



### SHIMS (ISCG05) & SPACERS



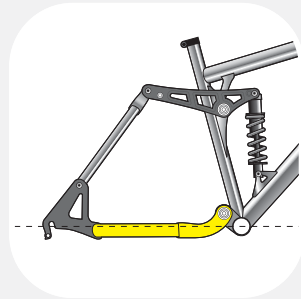
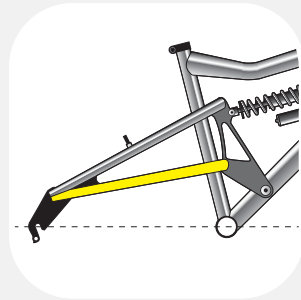
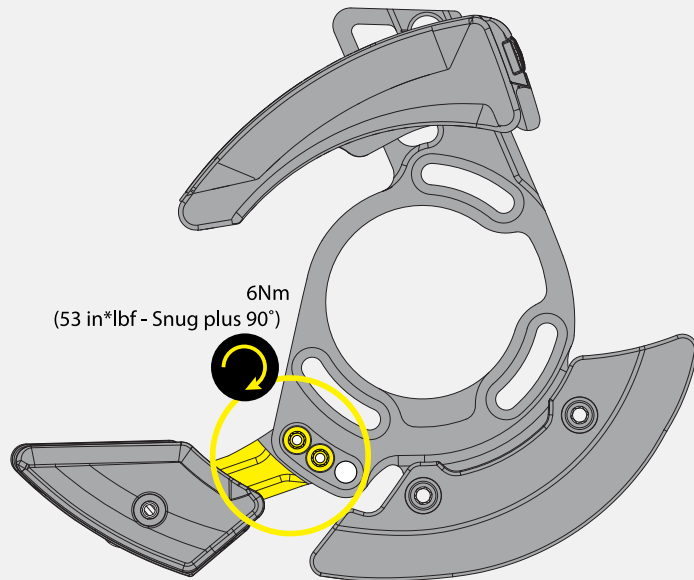
The Hive USA  
405 East D Street suite C  
Petaluma, CA 94952, USA  
[www.bythehive.com](http://www.bythehive.com)  
+1 888 298 2061



The Hive Europe  
Klosterstrasse 6  
83278 Traunstein, Germany  
[www.bythehive.com](http://www.bythehive.com)  
+49 861 211 77 145

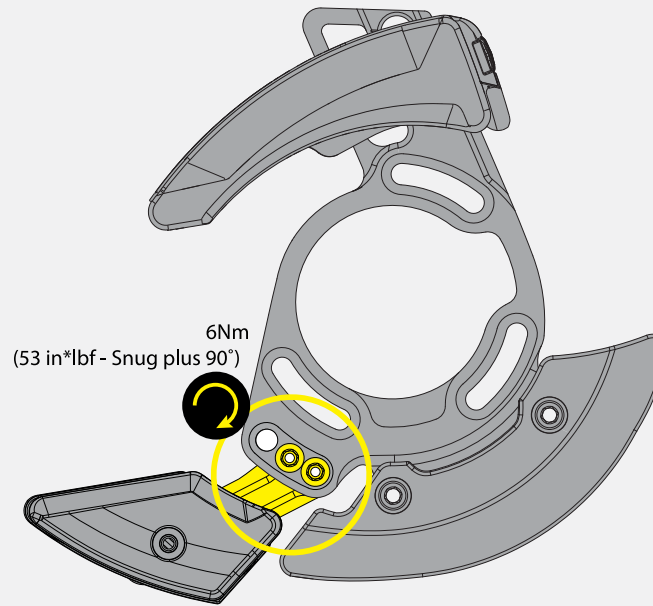
Questions? Contact us at [support@bythehive.com](mailto:support@bythehive.com) or [support.eu@bythehive.com](mailto:support.eu@bythehive.com)  
All technical documents are located at [www.bythehive.com/support](http://www.bythehive.com/support)

### ADJUST LOWER SLIDER



**NARROW POSITION**  
(NORMAL)

### ADJUST LOWER SLIDER



**WIDE POSITION**  
(BIKES WITH DROPPED CHAINSTAYS)

### GUIDE CLOCKING: PINCH BOLT AT 12 O'CLOCK

