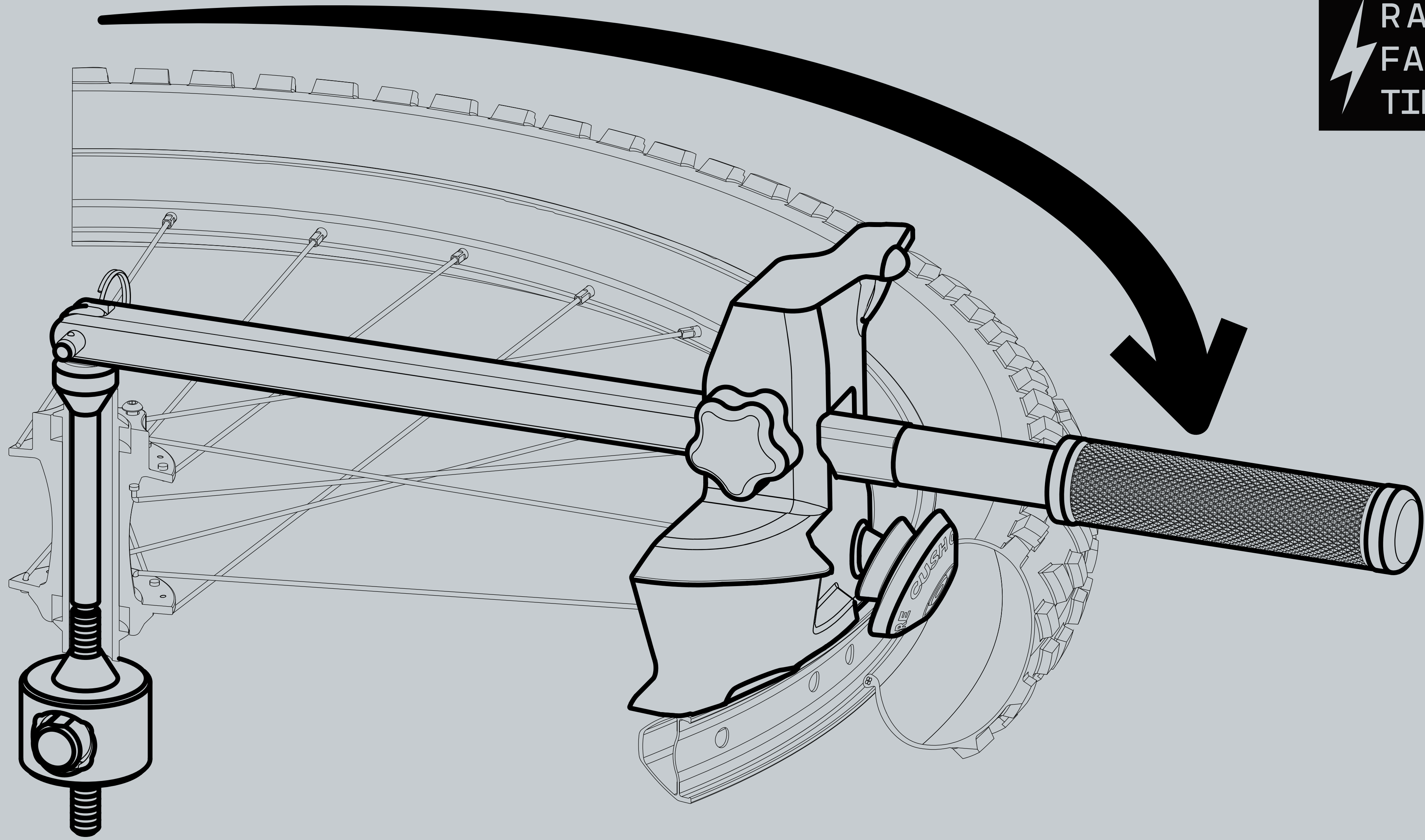


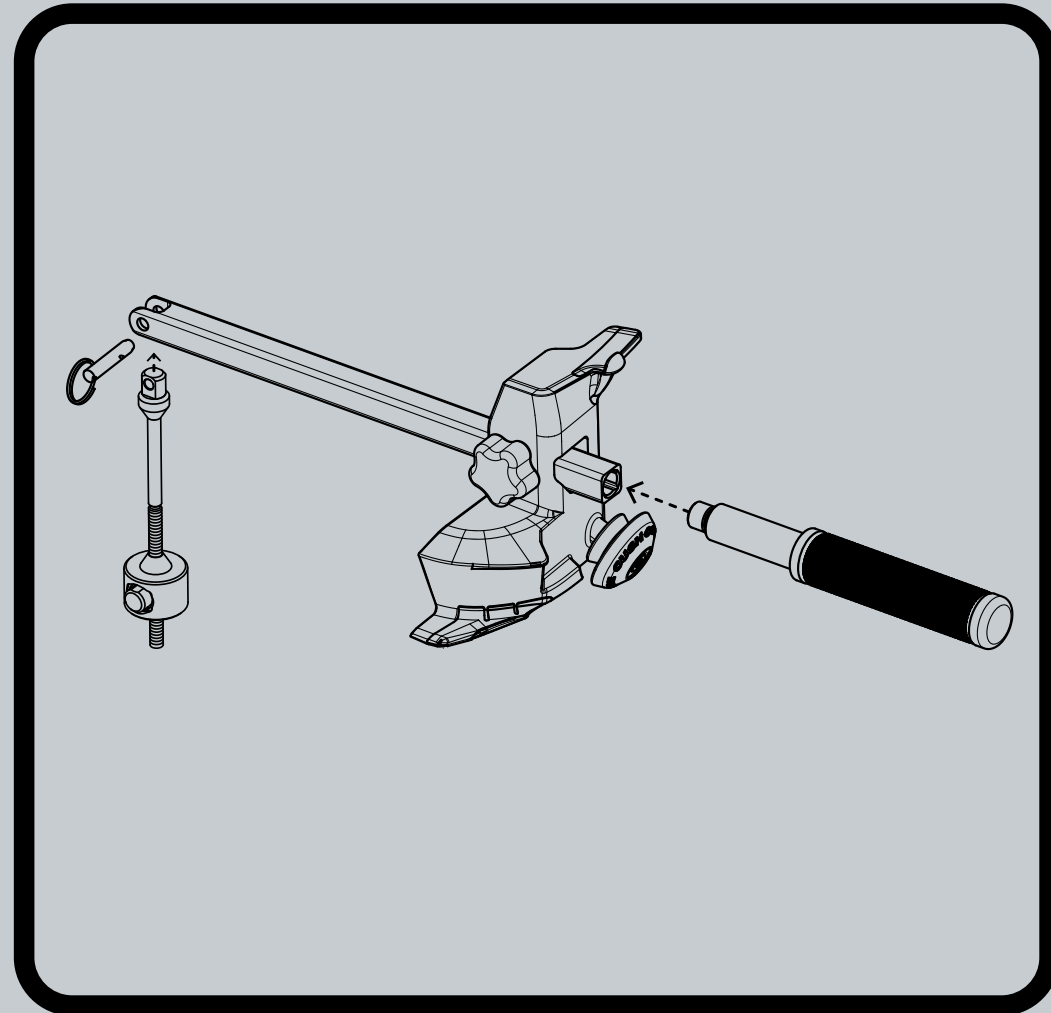


*CUSH CORE*  
**ROTARY TIRE TOOL**  
RADICALLY FAST & EASY TIRE CHANGES

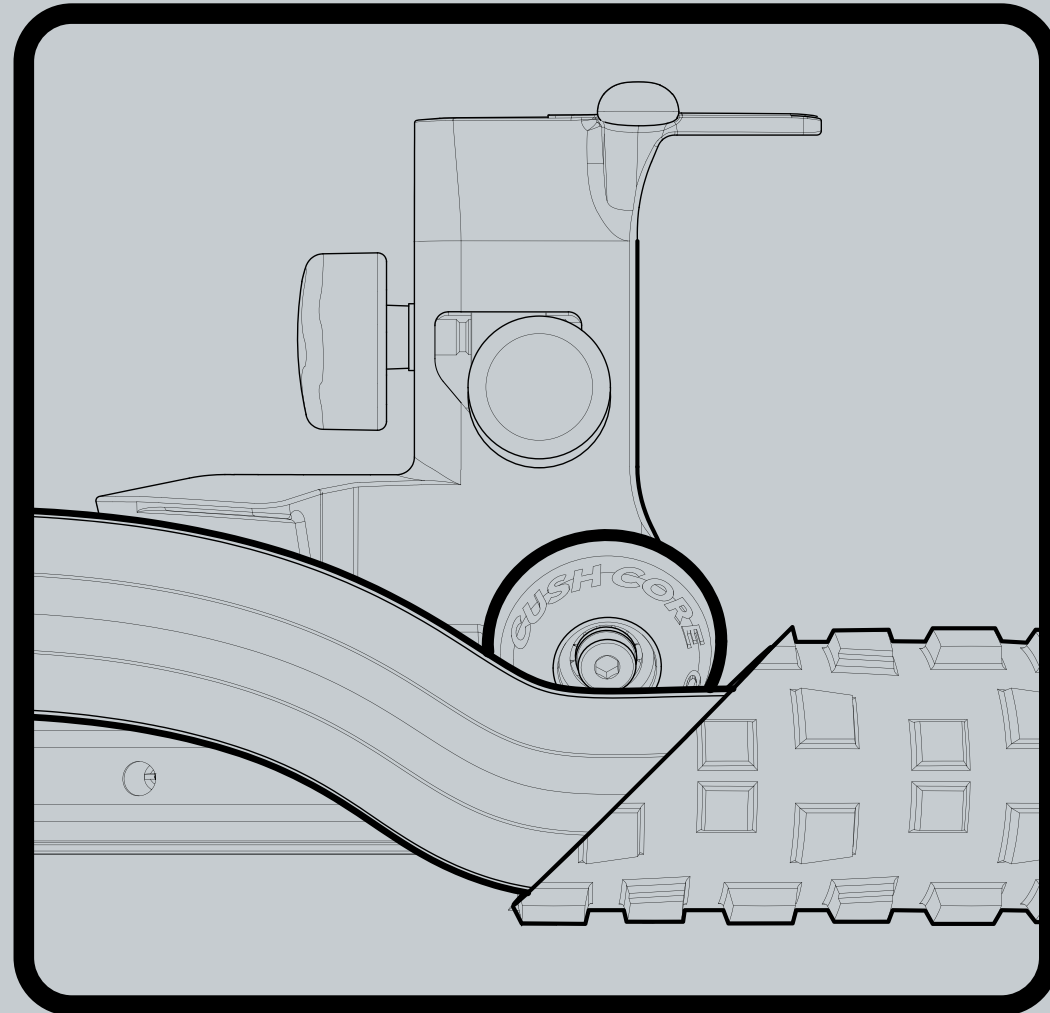
 **RADICALLY  
FAST & EASY  
TIRE CHANGES**



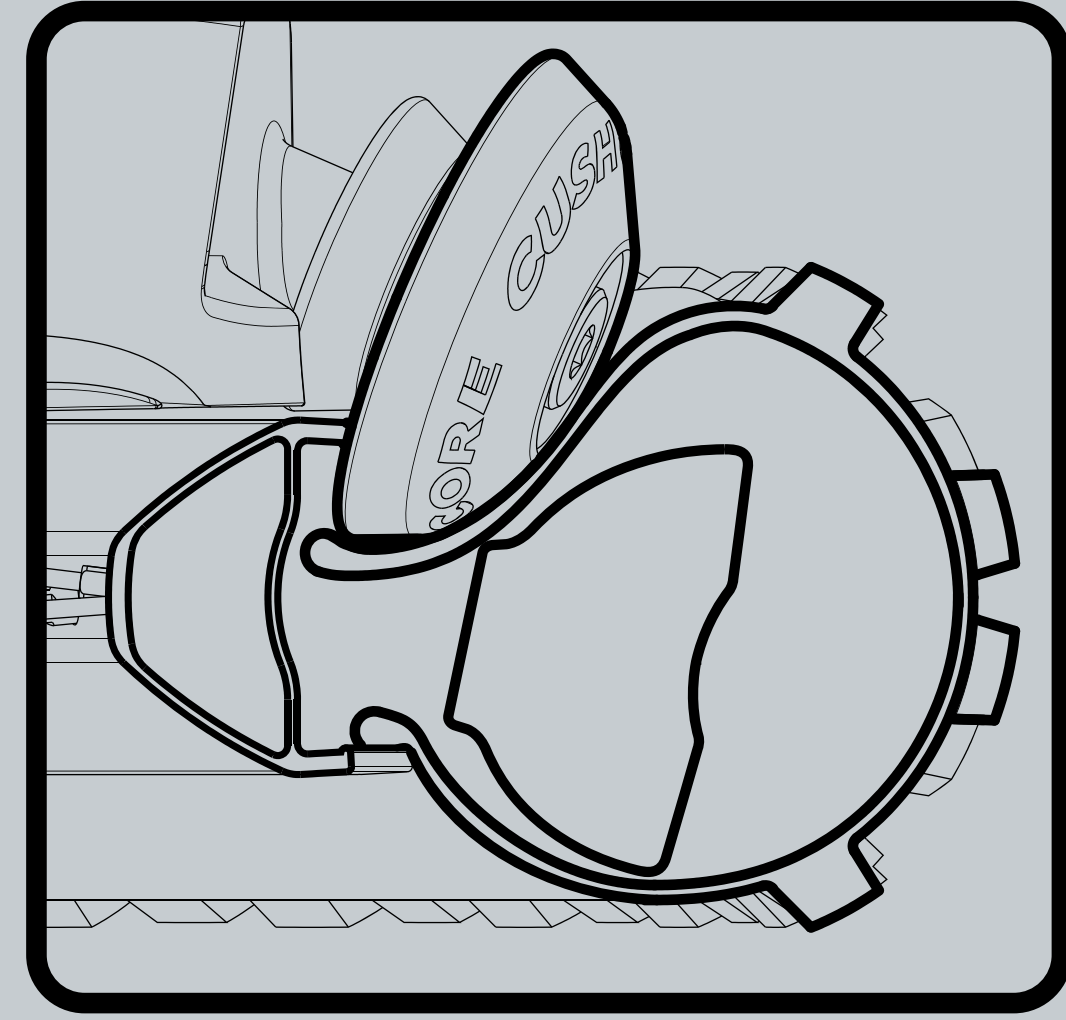
**INSTALL & REMOVE  
TIRES/INSERTS **IN MINUTES****



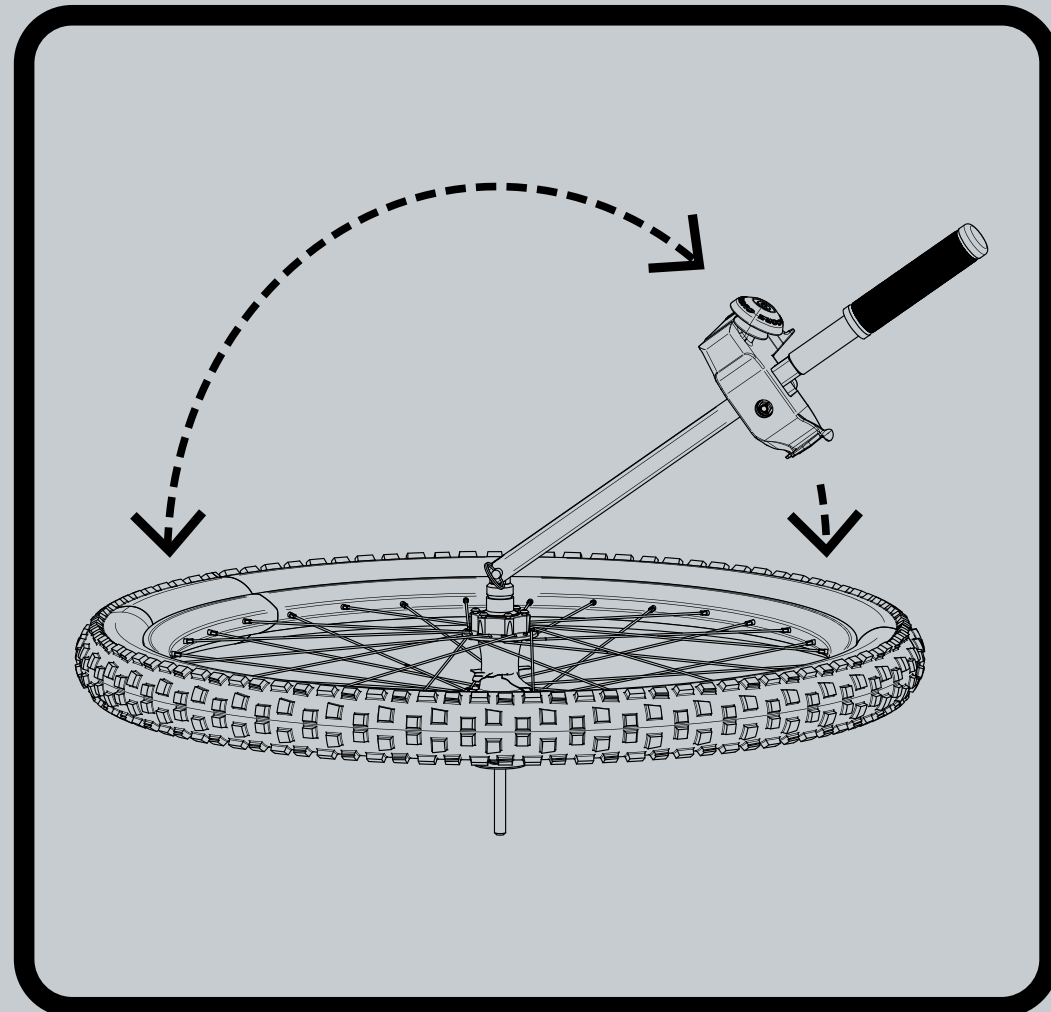
**QUICK & EASILY  
ASSEMBLE / DISASSEMBLE**



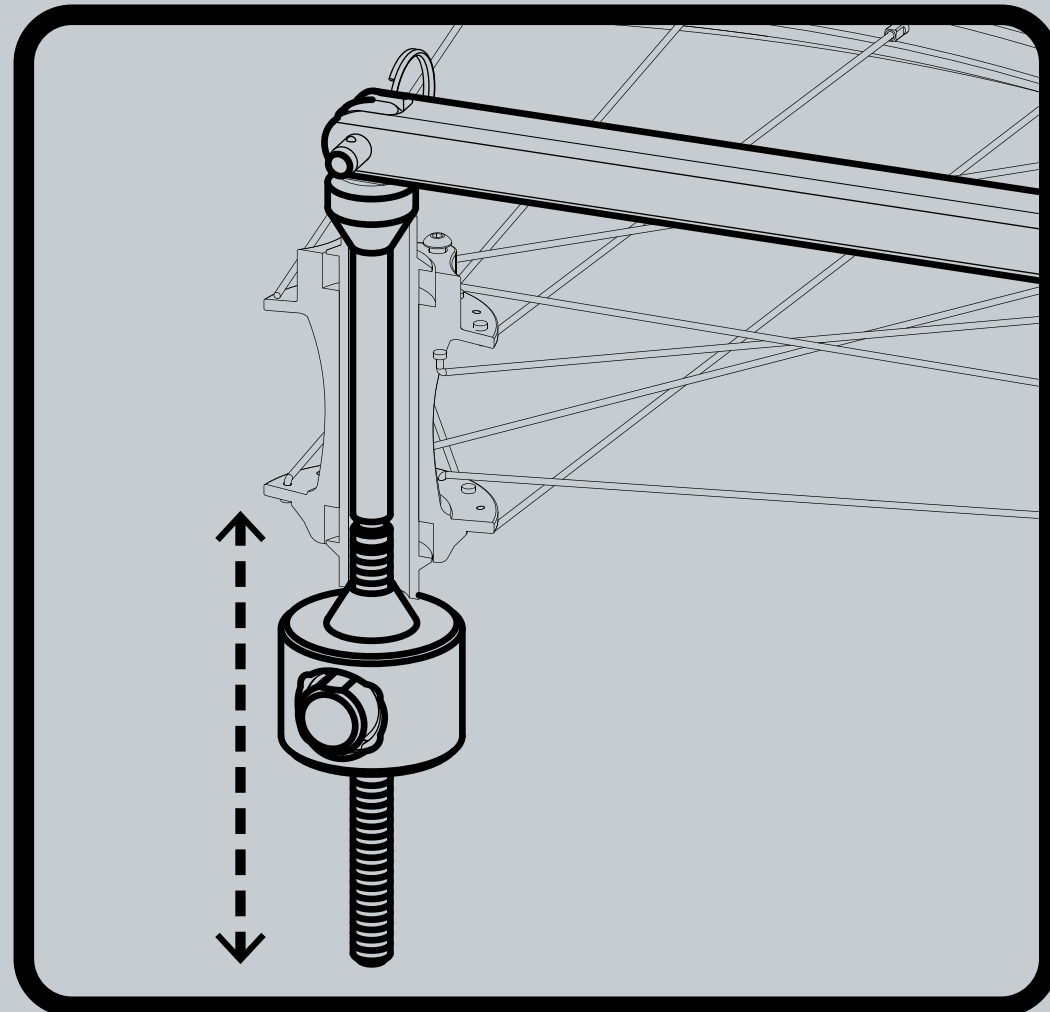
**A "GAME-CHANGER" WITH  
OR WITHOUT INSERTS**



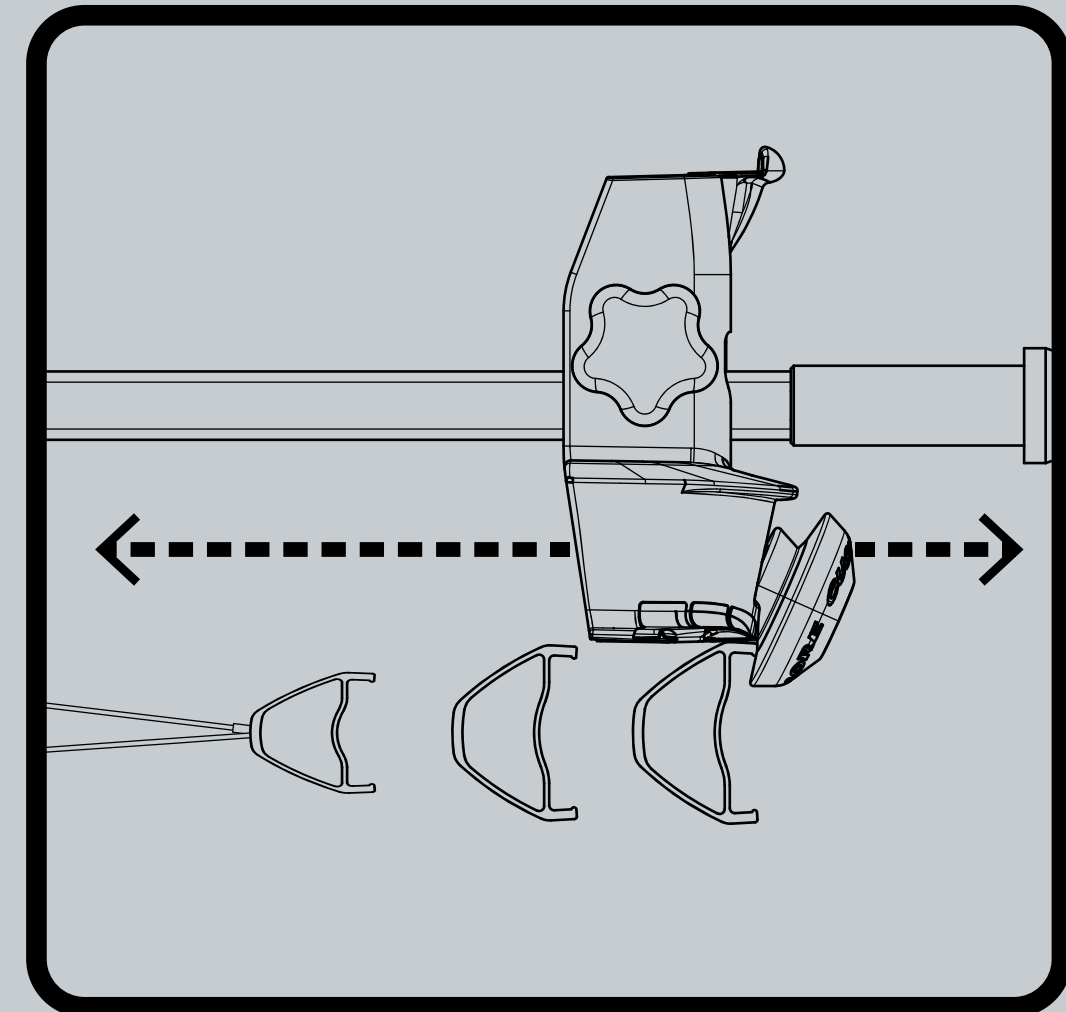
**SMOOTH BEAD DROPPING ACTION**



**EASILY SWITCH FROM  
INSTALL/REMOVAL FUNCTIONS**



**FITS MOST THRU AXLES**



**QUICK ADJUST SYSTEM  
24"-29" WHEELS**

# ROTARY TIRE TOOL

DURABLE ALUMINUM TOOL HEAD

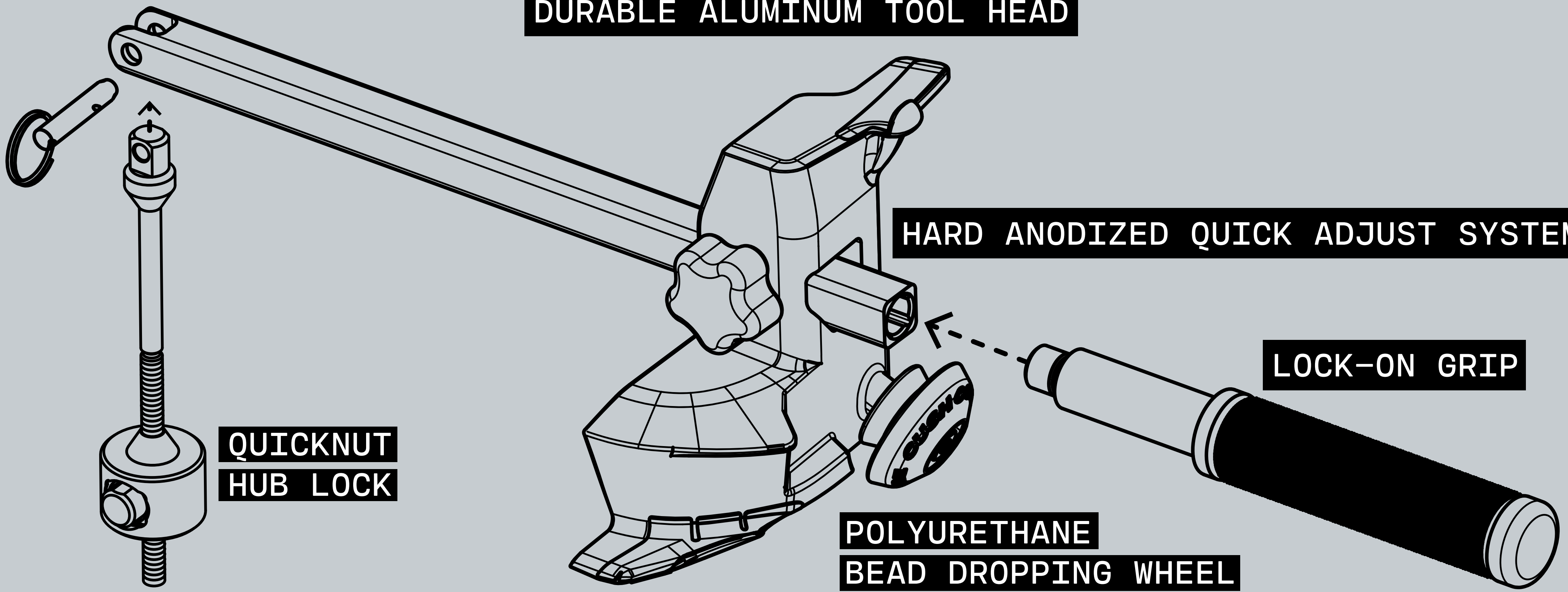
HARD ANODIZED QUICK ADJUST SYSTEM

LOCK-ON GRIP

POLYURETHANE  
BEAD DROPPING WHEEL

QUICKNUT  
HUB LOCK

FAST & EASY ASSEMBLY/DISASSEMBLY FOR  
STORAGE/TRANSPORT



# TOOL HEAD

PATENT PENDING

CUSH CORE



PROFESSIONAL QUALITY

*"I can confidently say that all of our race team mechanics are a huge fan of the tool. To the point that no tire is installed without it ... it is a massive time saver and I don't ever want to be without it."*

- Shaun Hughes - Lead Mechanic, Yeti/Fox Factory Racing

Since 2023, the Whistler Mountain Bike Park has used the Rotary Tire Tool to install tires and inserts on thousands of wheels: *"They [Rotary Tire Tools] have been working awesome ... These were vital in getting the rental fleet ready on time for the start of the season."*

-Aaron Nathan - Lead Rental Bike Mechanic, Whistler Mountain Bike Park



# ROTARY TIRE TOOL

Professional grade tool that significantly reduces time and effort installing/removing tires and CushCore tire inserts.

SUGGESTED RETAIL PRICE \$299 USD  
AVAILABLE FOR PURCHASE EARLY MAY 2026

For MEDIA SAMPLES contact [DAN@CUSHCORE.COM](mailto:DAN@CUSHCORE.COM)

## COMPATIBILITY

WHEEL SIZES: 24"-29", 650B, 700c  
THRU AXLE DIAMETER: 12MM-20MM  
HUB WIDTH: 100MM-197MM

