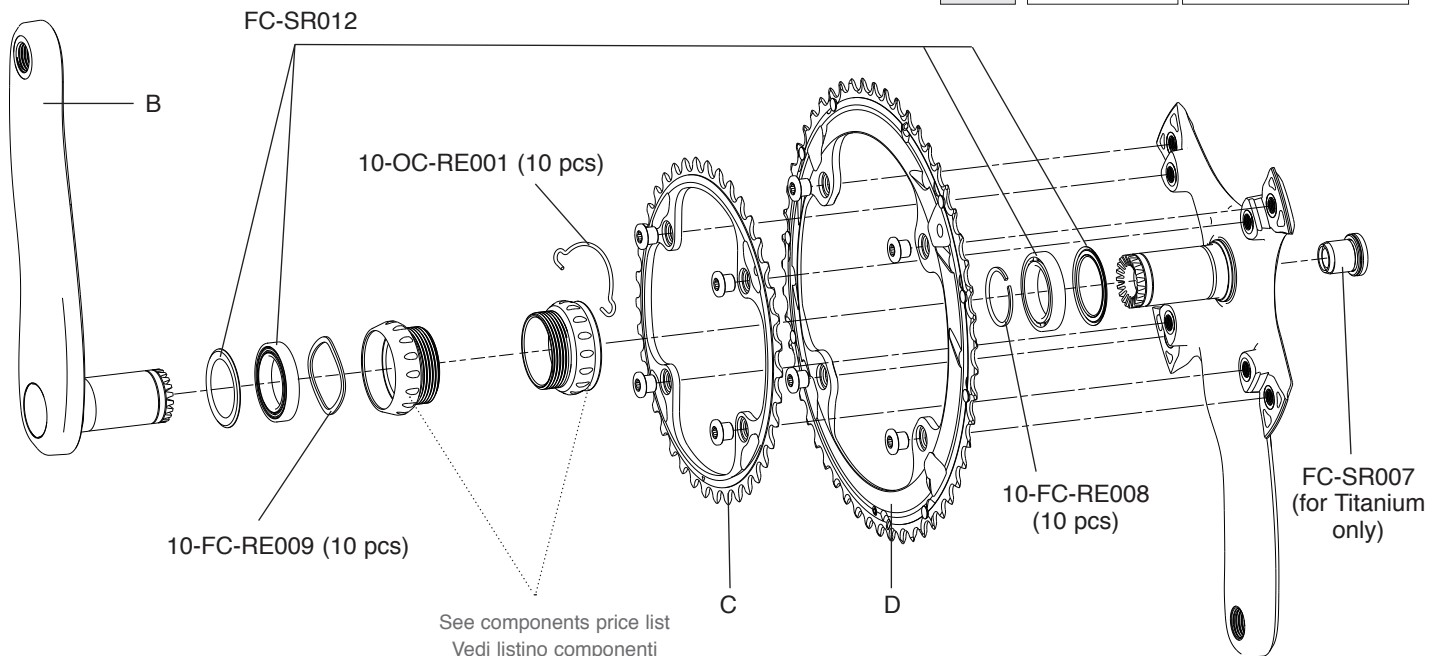


SUPER RECORD 11S

CARBON - ULTRA-TORQUE

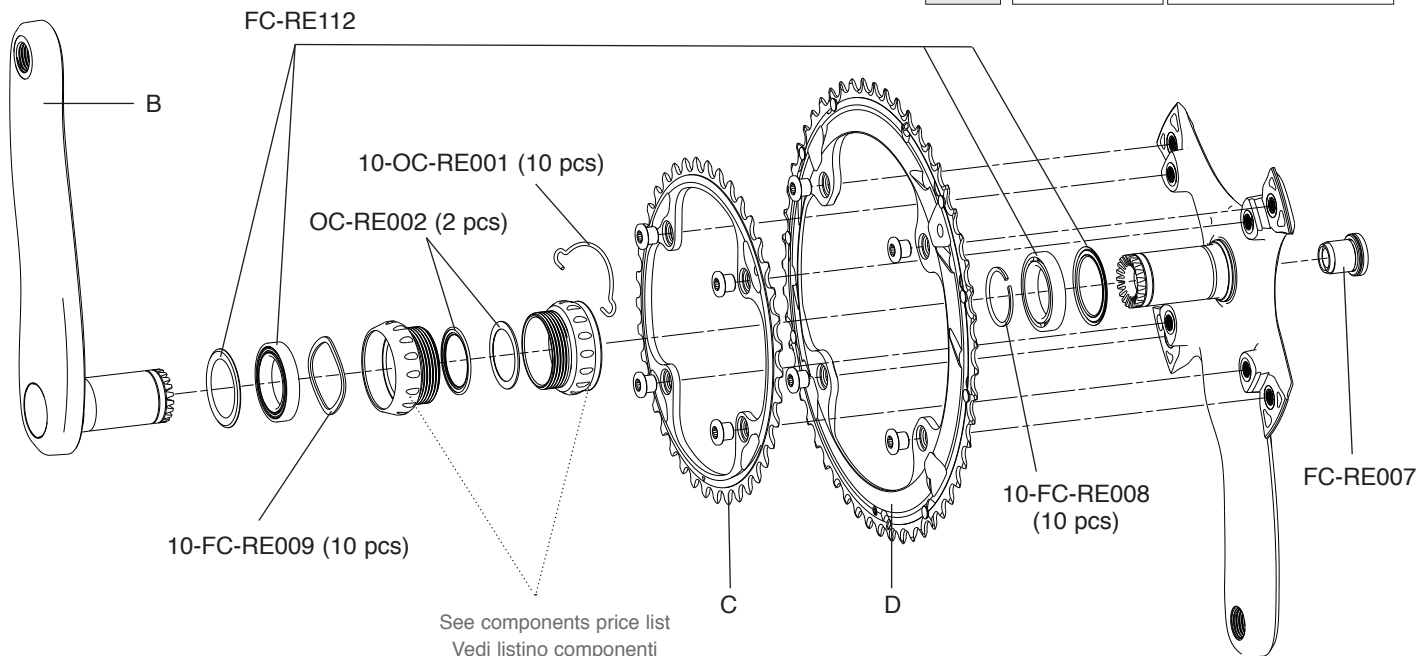
FC-SR300
KIT VITI / SCREWS&NUTS

B	170 mm 172,5 mm 175 mm	FC-SR081 FC-SR083 FC-SR085
C	Z34 Z36 Z39	FC-SR234 FC-SR136 FC-SR239
D	Z50 for 34 Z52 for 36 Z53 for 39	FC-SR350 FC-SR352 FC-SR353



FC-SR300
KIT VITI / SCREWS&NUTS

B	170 mm 172,5 mm 175 mm	FC-RE087 FC-RE089 FC-RE091
C	Z34 Z36 Z39	FC-SR234 FC-SR136 FC-SR239
D	Z50 for 34 Z52 for 36 Z53 for 39	FC-SR350 FC-SR352 FC-SR353

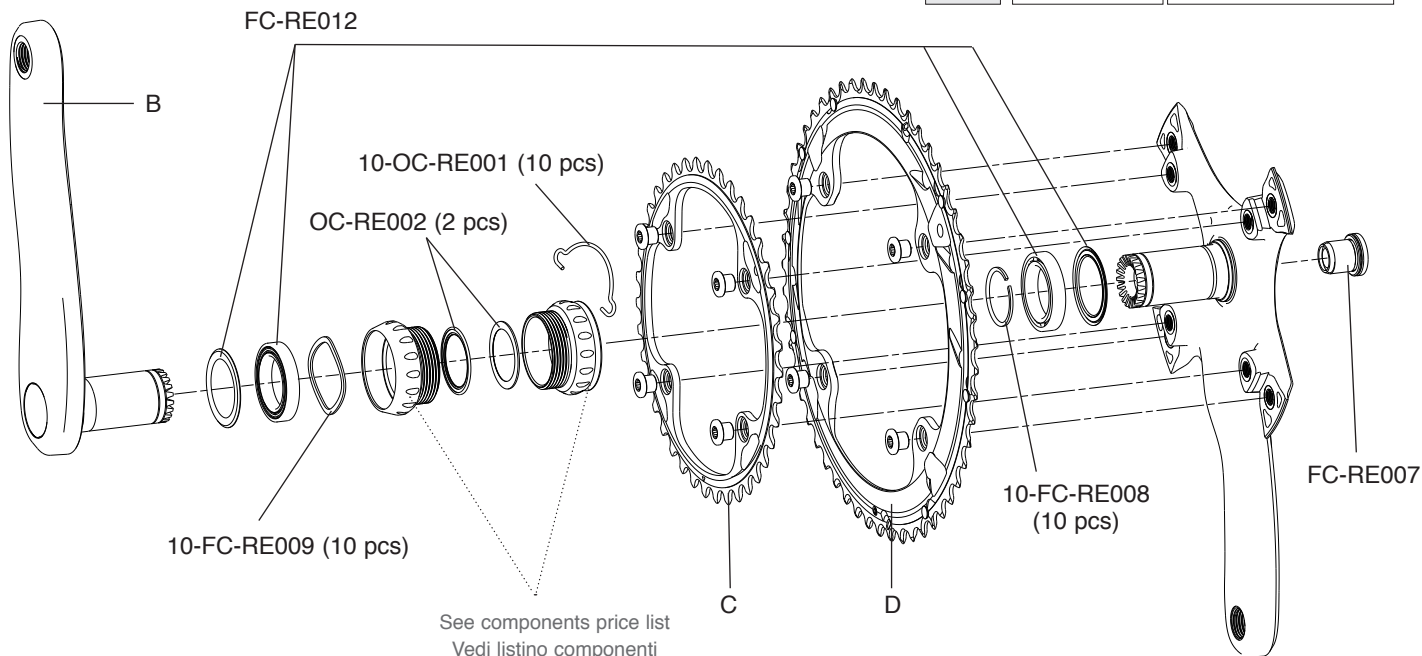


CHORUS 11S

CARBON - ULTRA-TORQUE

FC-SR300
KIT VITI / SCREWS&NUTS

B	170 mm 172,5 mm 175 mm	FC-CH113 FC-CH115 FC-CH117
C	Z34 Z36 Z39	FC-SR234 FC-SR136 FC-SR239
D	Z50 for 34 Z52 for 36 Z53 for 39	FC-SR350 FC-SR352 FC-SR353

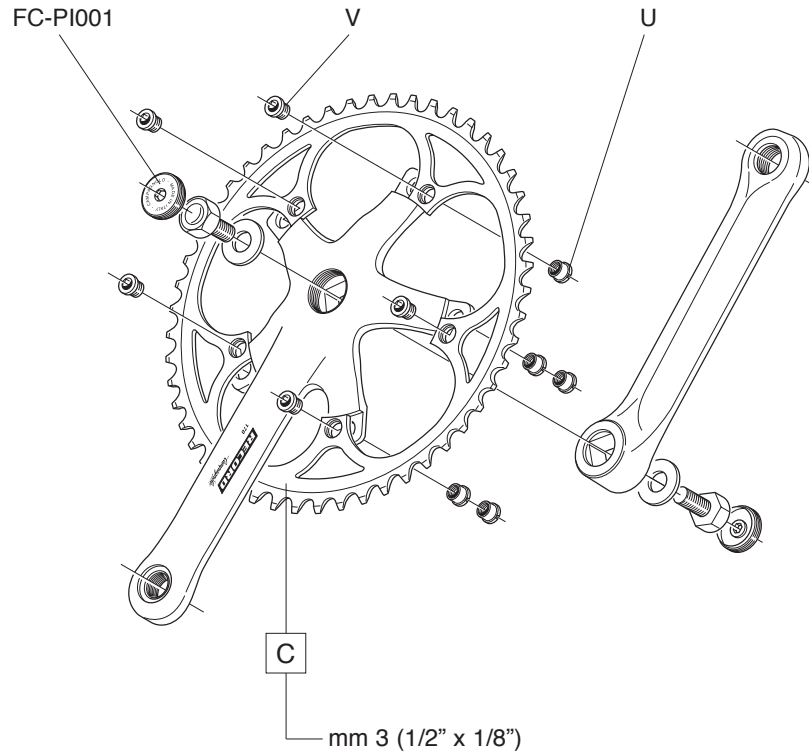


RECORD PISTA

ALUMINIUM

C	Z47	FC-PI047
	Z48	FC-PI048
	Z49	FC-PI049
	Z50	FC-PI050
	Z51	FC-PI051
	Z52	FC-PI052

FC-PI100
KIT VITI / SCREWS&NUTS
5 U + 5 V

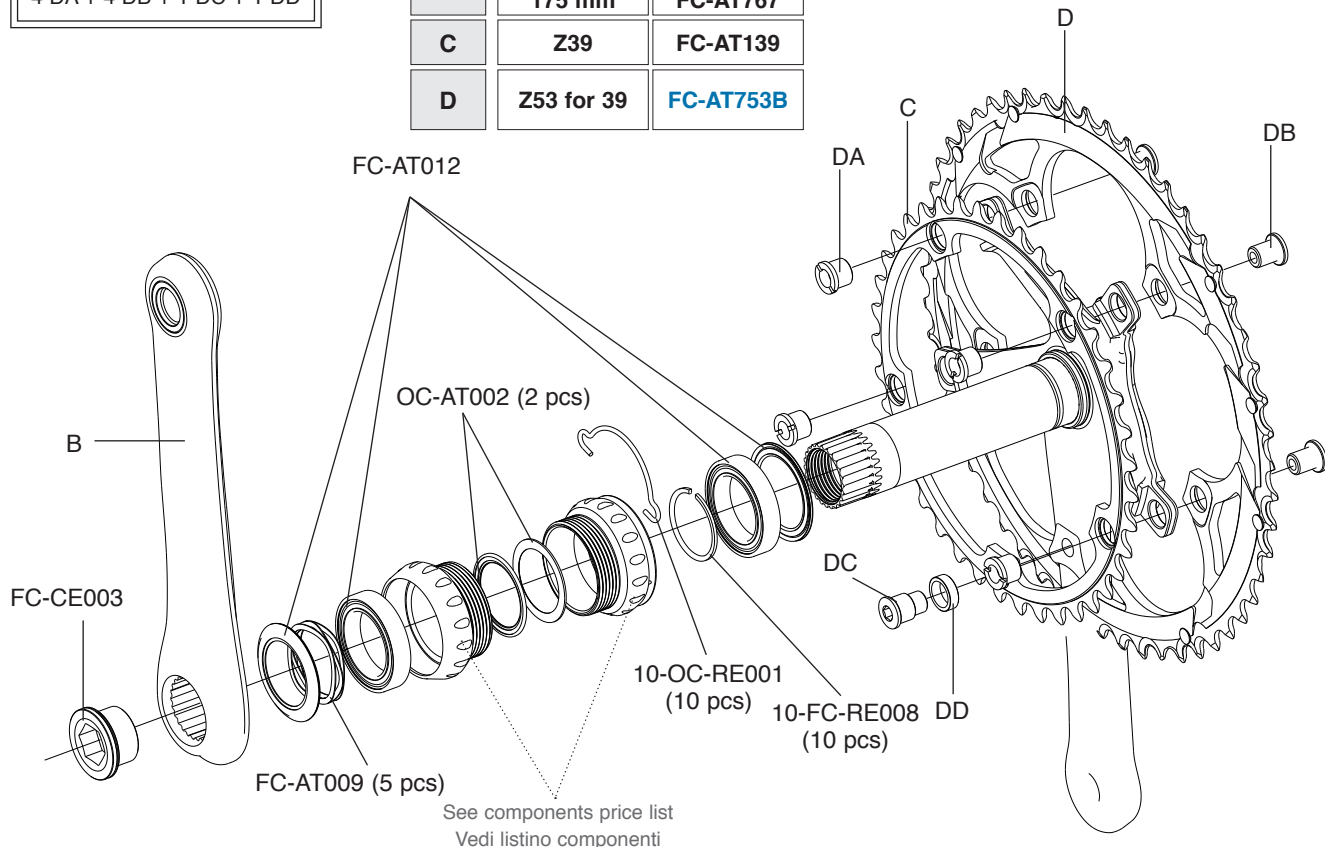


ATHENA 11S

CARBON - POWER-TORQUE

FC-AT300
KIT VITI / SCREWS&NUTS
 4 DA + 4 DB + 1 DC + 1 DD

B	165 mm 170 mm 172,5 mm 175 mm	FC-AT165C FC-AT763 FC-AT765 FC-AT767
C	Z39	FC-AT139
D	Z53 for 39	FC-AT753B



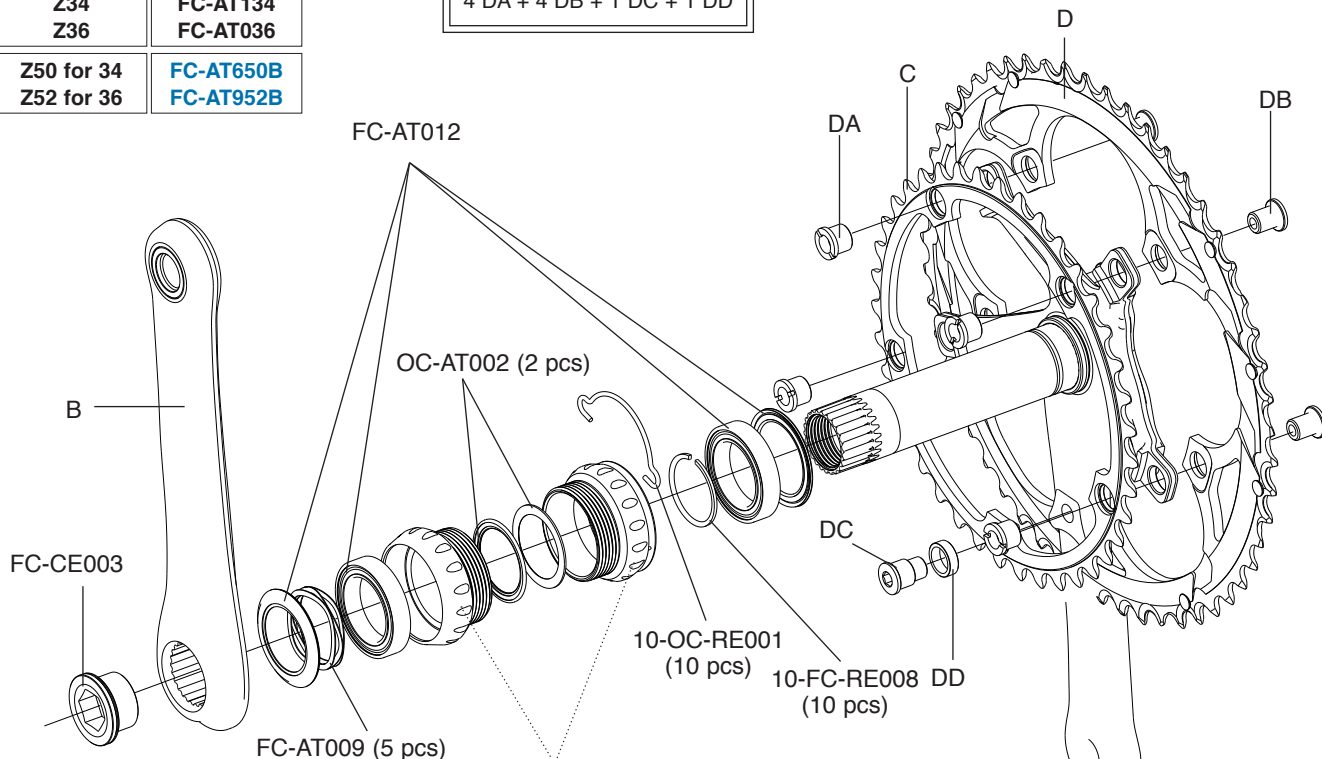
See components price list
 Vedi listino componenti

ATHENA 11S CT

CARBON - POWER-TORQUE

B	165mm	FC-AT165C
	170 mm	FC-AT763
	172,5 mm	FC-AT765
	175 mm	FC-AT767
C	Z34	FC-AT134
	Z36	FC-AT036
D	Z50 for 34	FC-AT650B
	Z52 for 36	FC-AT952B

FC-AT300
KIT VITI / SCREWS&NUTS
4 DA + 4 DB + 1 DC + 1 DD



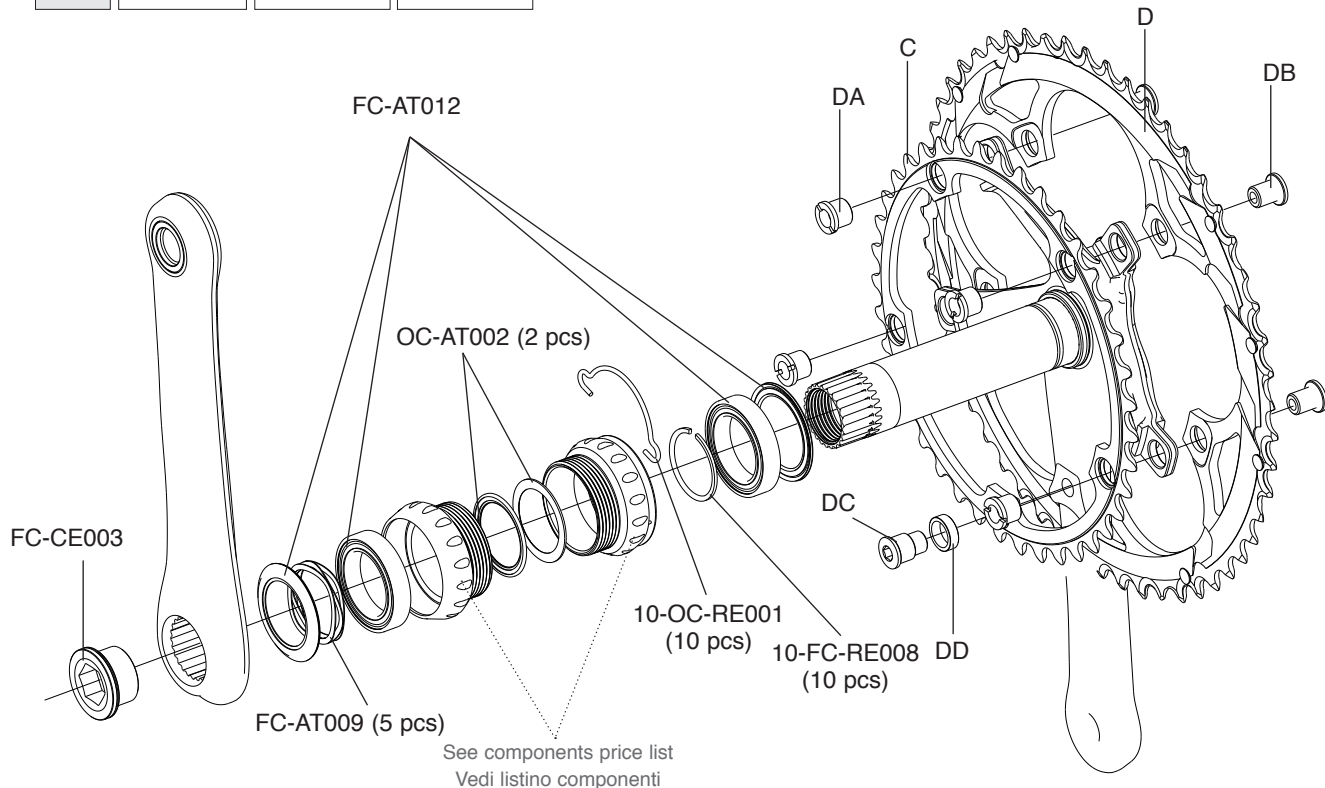
See components price list
Vedi listino componenti

ATHENA 11S

ALUMINIUM - POWER-TORQUE

		SILVER	BLACK
C	Z39	FC-AT239	FC-AT139
D	Z53 for 39	FC-AT453S	FC-AT753B

FC-AT200 (SILVER) - FC-AT200B (BLACK)
 KIT VITI / SCREWS&NUTS
 4 DA + 4 DB + 1 DC + 1 DD



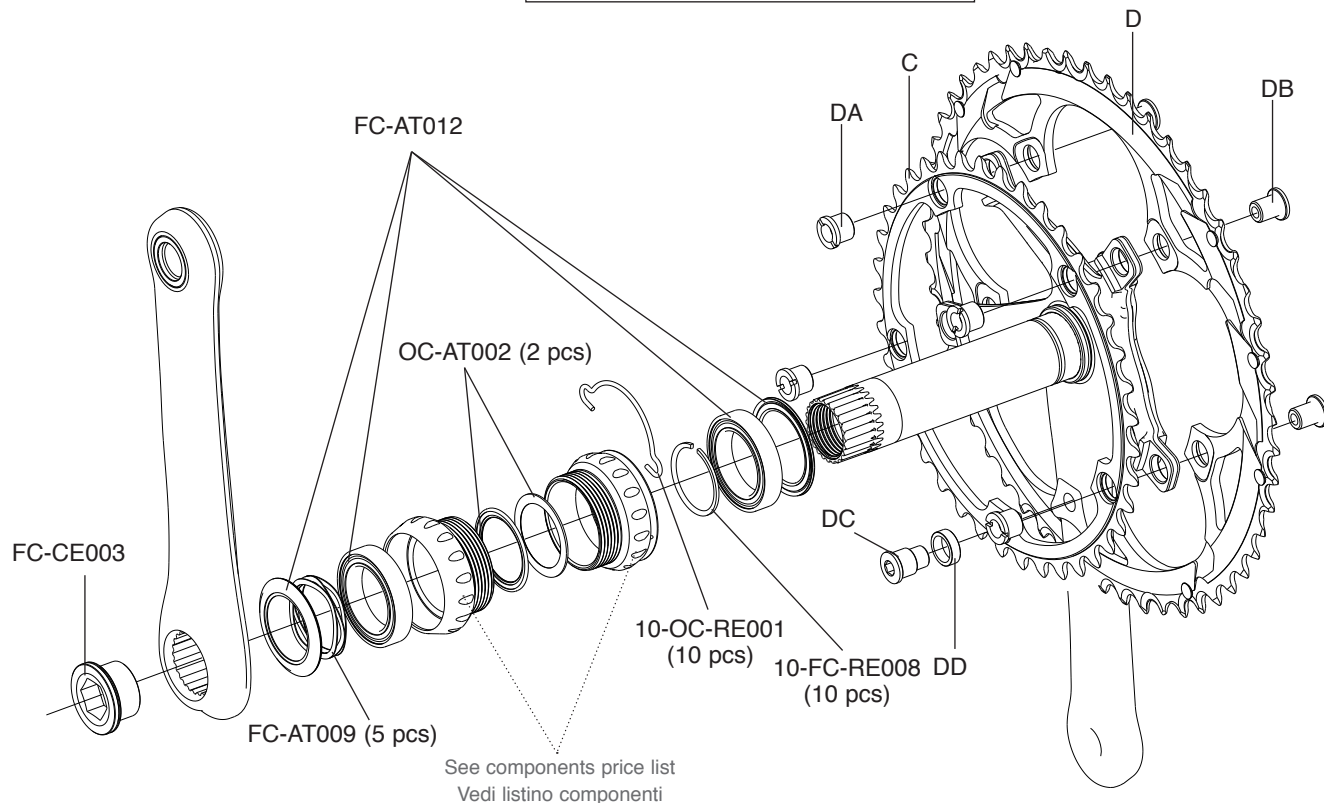
ATHENA 11S CT

ALUMINIUM - POWER-TORQUE

		SILVER	BLACK
C	Z34	FC-AT234	FC-AT134
	Z36	not available	FC-AT036
D	Z50 for 34	FC-AT650S	FC-AT650B
	Z52 for 36	not available	FC-AT952B

FC-AT200 (SILVER) - FC-AT200B (BLACK)
KIT VITI / SCREWS&NUTS

4 DA + 4 DB + 1 DC + 1 DD



ATHENA TRIPLE 11S

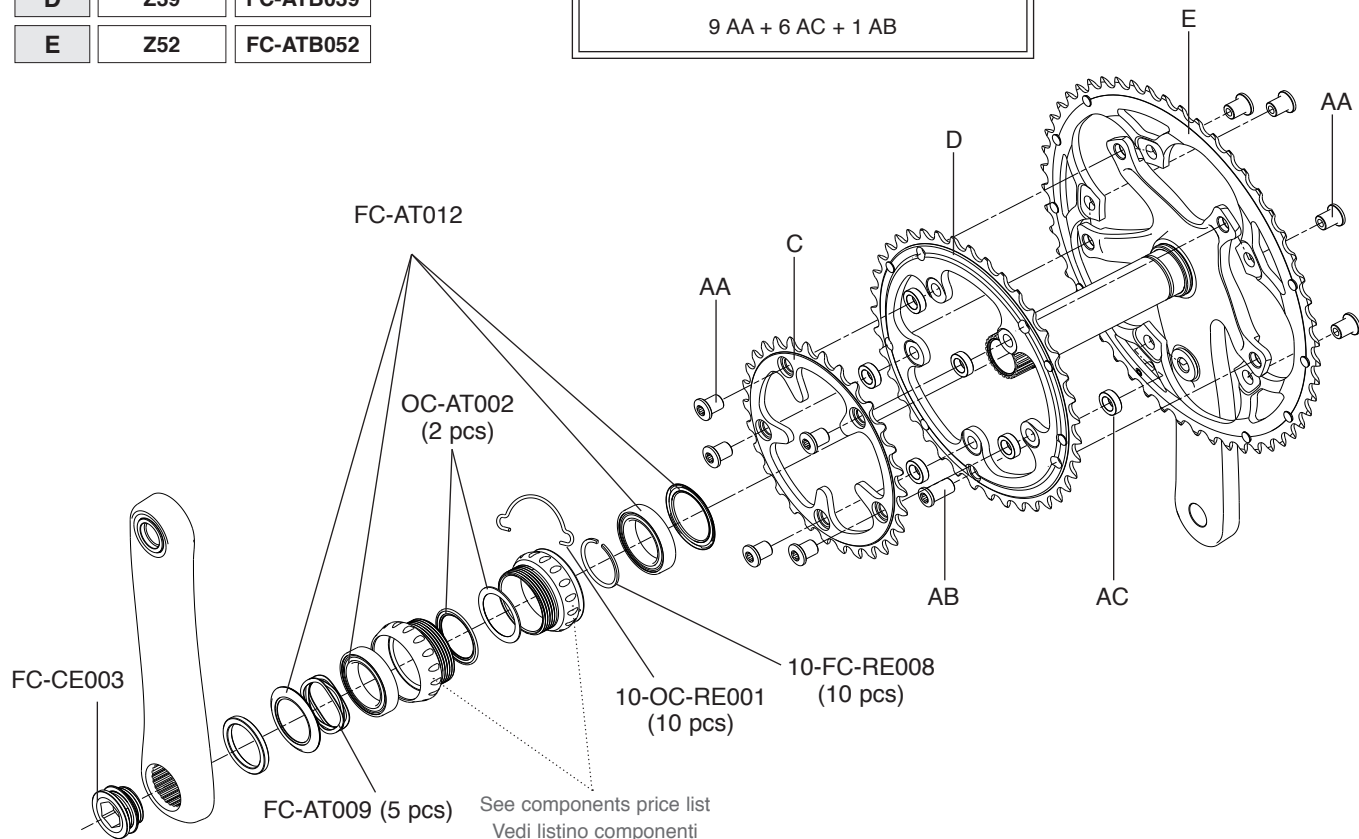
ALUMINIUM - POWER-TORQUE

BLACK

C	Z30	FC-ATB030
D	Z39	FC-ATB039
E	Z52	FC-ATB052

FC-AT400
KIT VITI / SCREWS&NUTS

9 AA + 6 AC + 1 AB

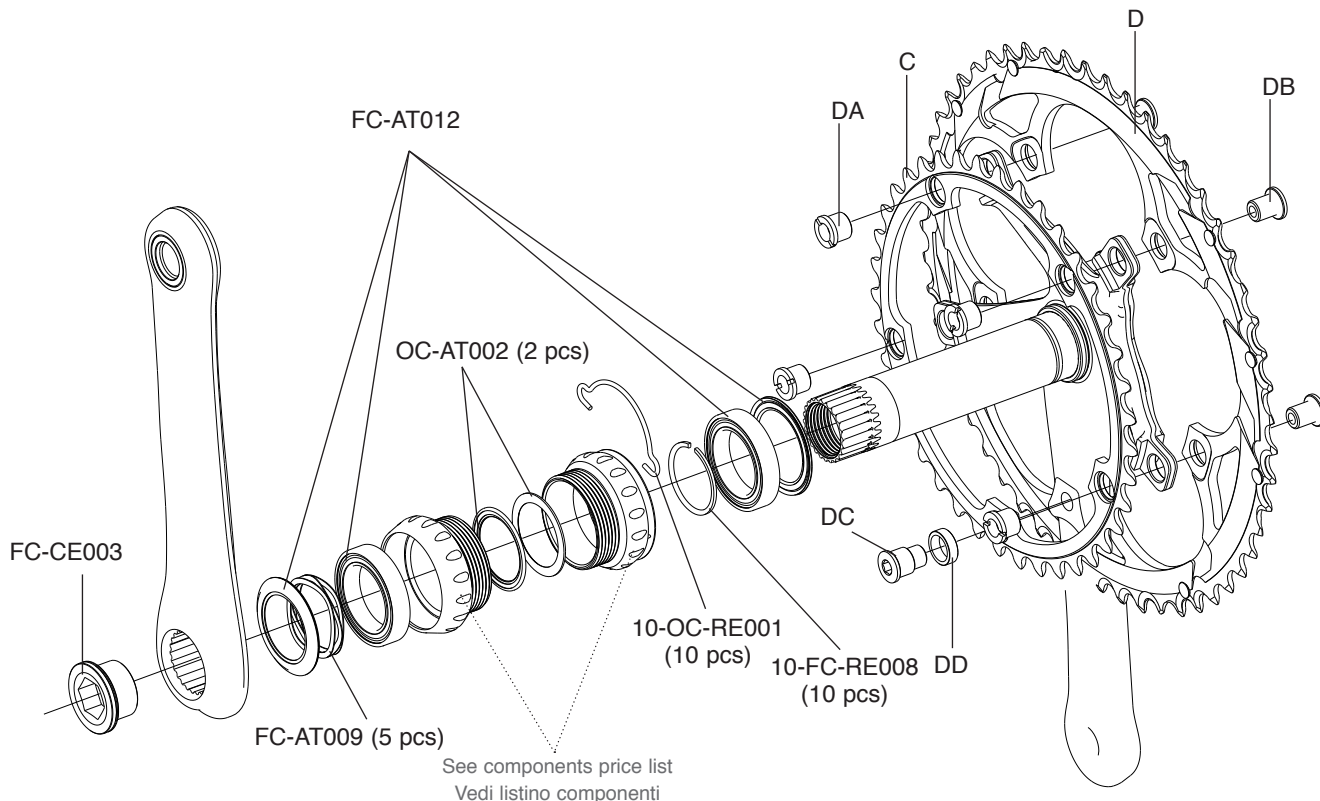


VELOCE 10S

ALUMINIUM - POWER-TORQUE

		BLACK	SILVER
C	Z39	FC-VL339	FC-VL439
D	Z52 for 39 Z53 for 39	FC-CE252 FC-CE253	FC-VL652 FC-VL553

FC-VL200
KIT VITI / SCREWS&NUTS
 4 DA + 4 DB + 1 DC + 1 DD



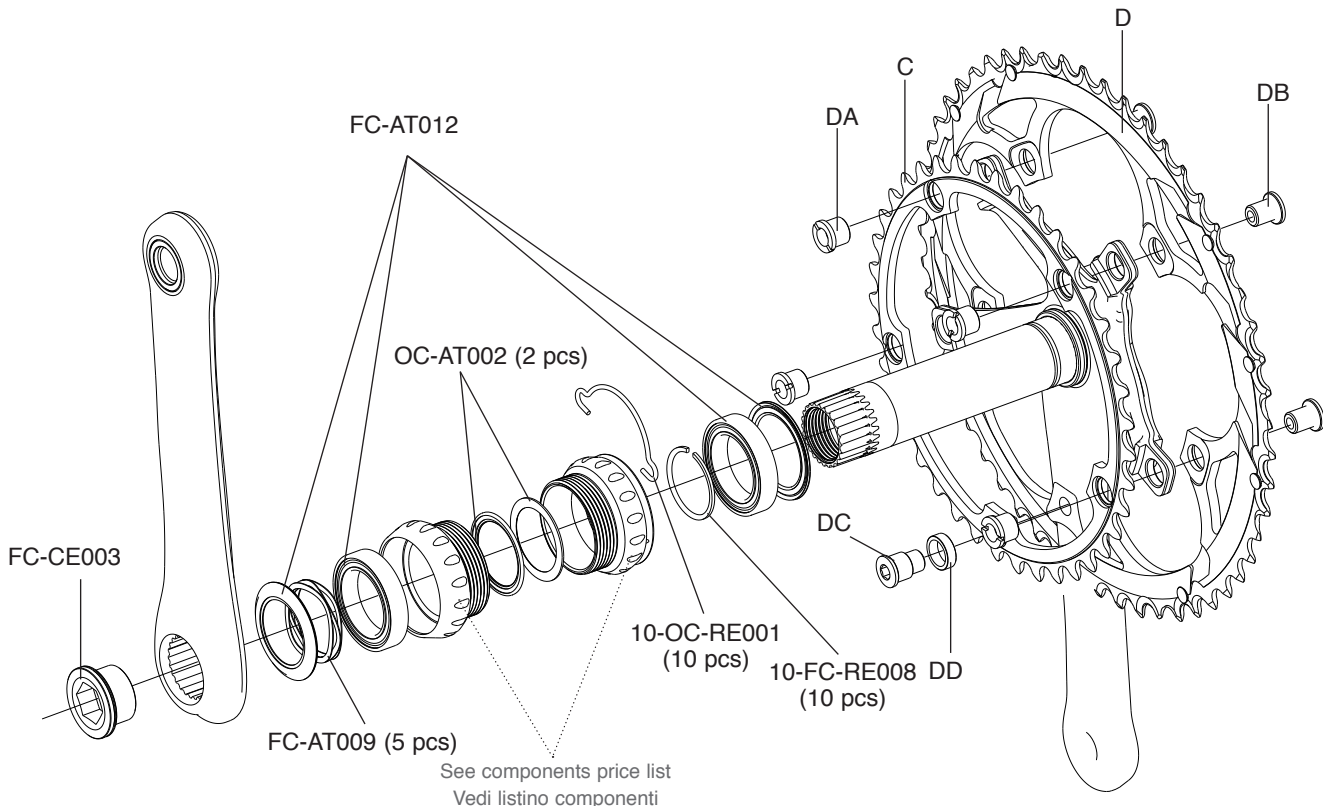
VELOCE 10S CT

ALUMINIUM - POWER-TORQUE

BLACK **SILVER**

C	Z34	FC-VL434	FC-VL534
D	Z50 for 34	FC-CE450	FC-VL450

FC-VL200
KIT VITI / SCREWS&NUTS
 4 DA + 4 DB + 1 DC + 1 DD



See components price list
 Vedi listino componenti

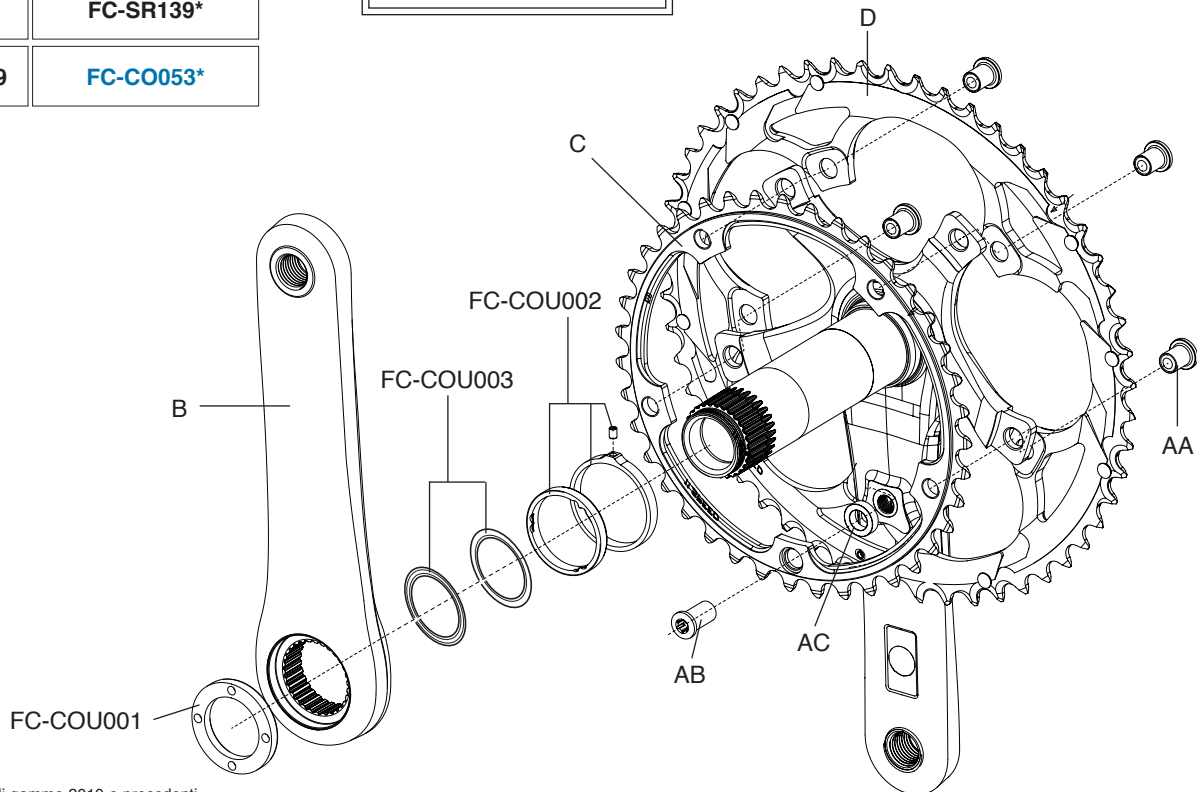
COMP ULTRA 11S

CARBON - OVER-TORQUE

B	170 mm 172,5 mm 175 mm	FC-COU031 FC-COU033 FC-COU035
C	Z39	FC-SR139*
D	Z53 for 39	FC-CO053*

FC-SR200
KIT VITI / SCREWS&NUTS

4 AA + 1 AB + 1 AC



* non compatibili con ingranaggi di gamme 2010 e precedenti

* not compatible with 2010 range and previous chainrings

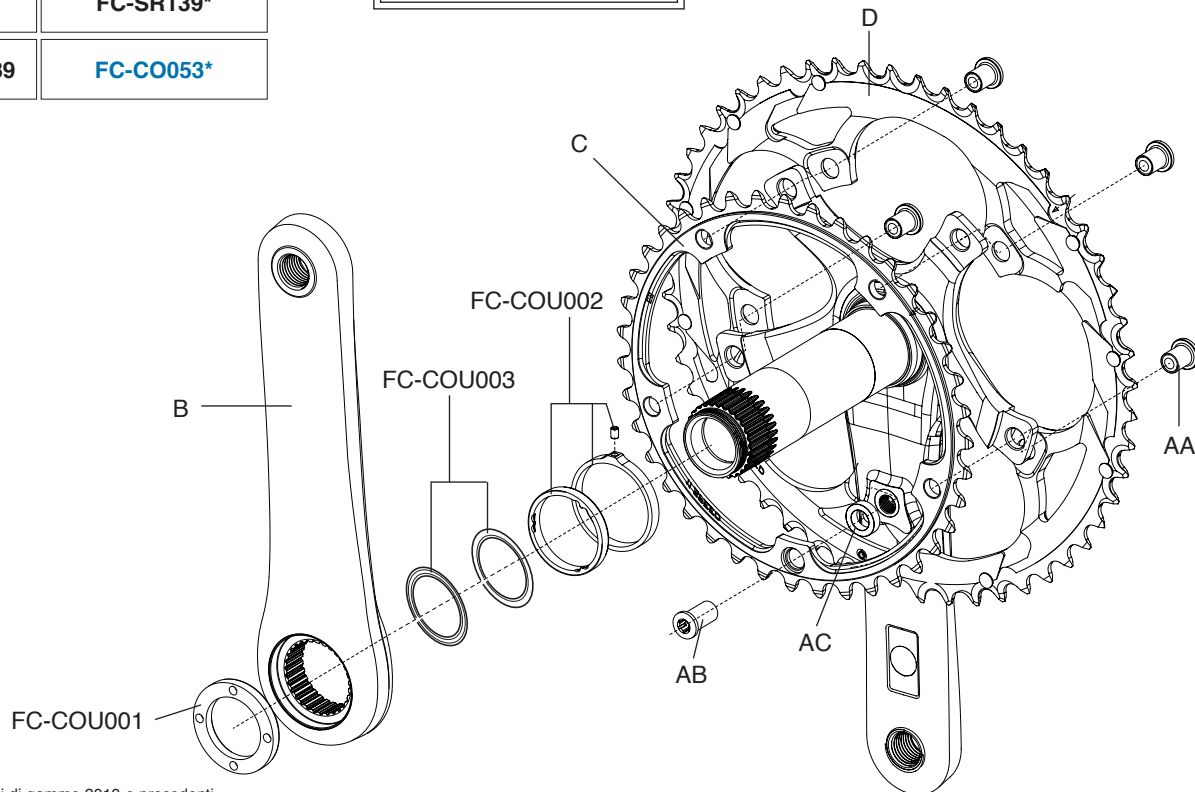
COMP ONE 11S

CARBON - OVER-TORQUE

B	170 mm 172,5 mm 175 mm	FC-CO1011 FC-CO1013 FC-CO1015
C	Z39	FC-SR139*
D	Z53 for 39	FC-CO053*

FC-SR200
KIT VITI / SCREWS&NUTS

4 AA + 1 AB + 1 AC



* non compatibili con ingranaggi di gamme 2010 e precedenti

* not compatible with 2010 range and previous chainrings

COMP ONE 11S CT

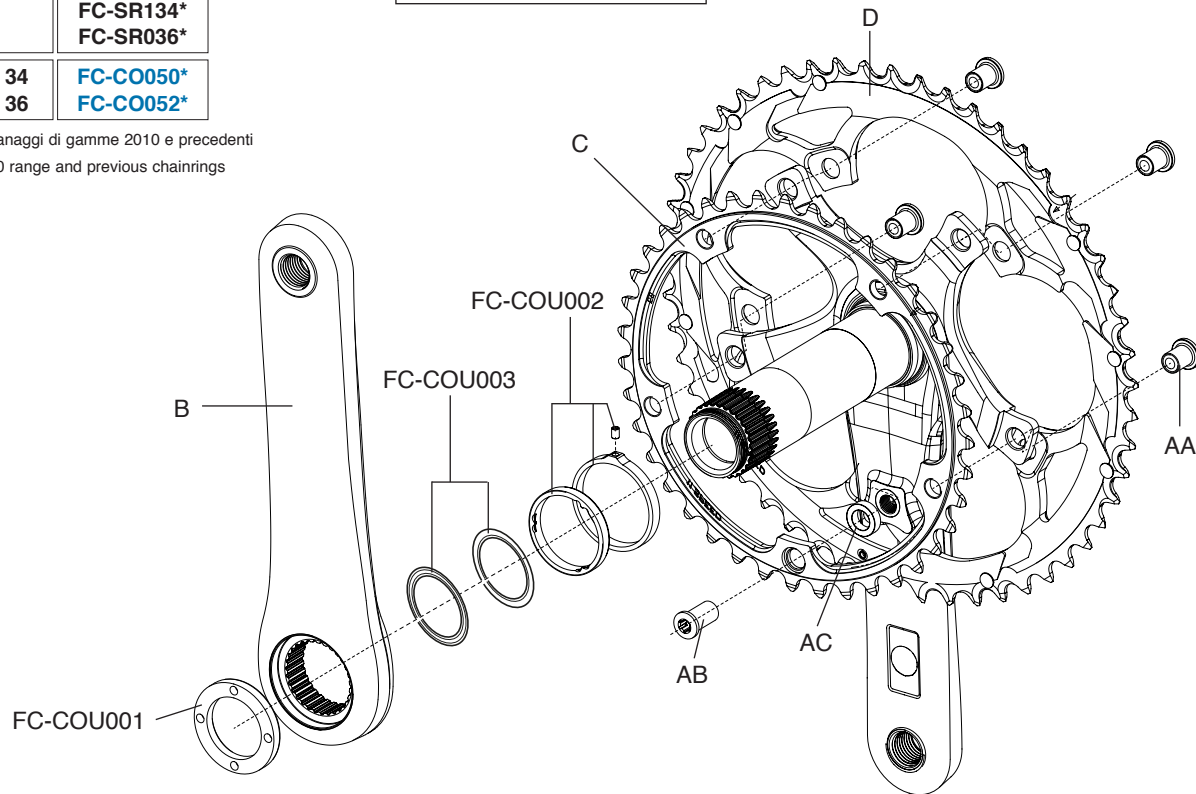
CARBON - OVER-TORQUE

B	170 mm 172,5 mm 175 mm	FC-CO1011 FC-CO1013 FC-CO1015
C	Z34 Z36	FC-SR134* FC-SR036*
D	Z50 for 34 Z52 for 36	FC-CO050* FC-CO052*

FC-SR200
KIT VITI / SCREWS&NUTS
4 AA + 1 AB + 1 AC

* non compatibili con ingranaggi di gamme 2010 e precedenti

* not compatible with 2010 range and previous chainrings

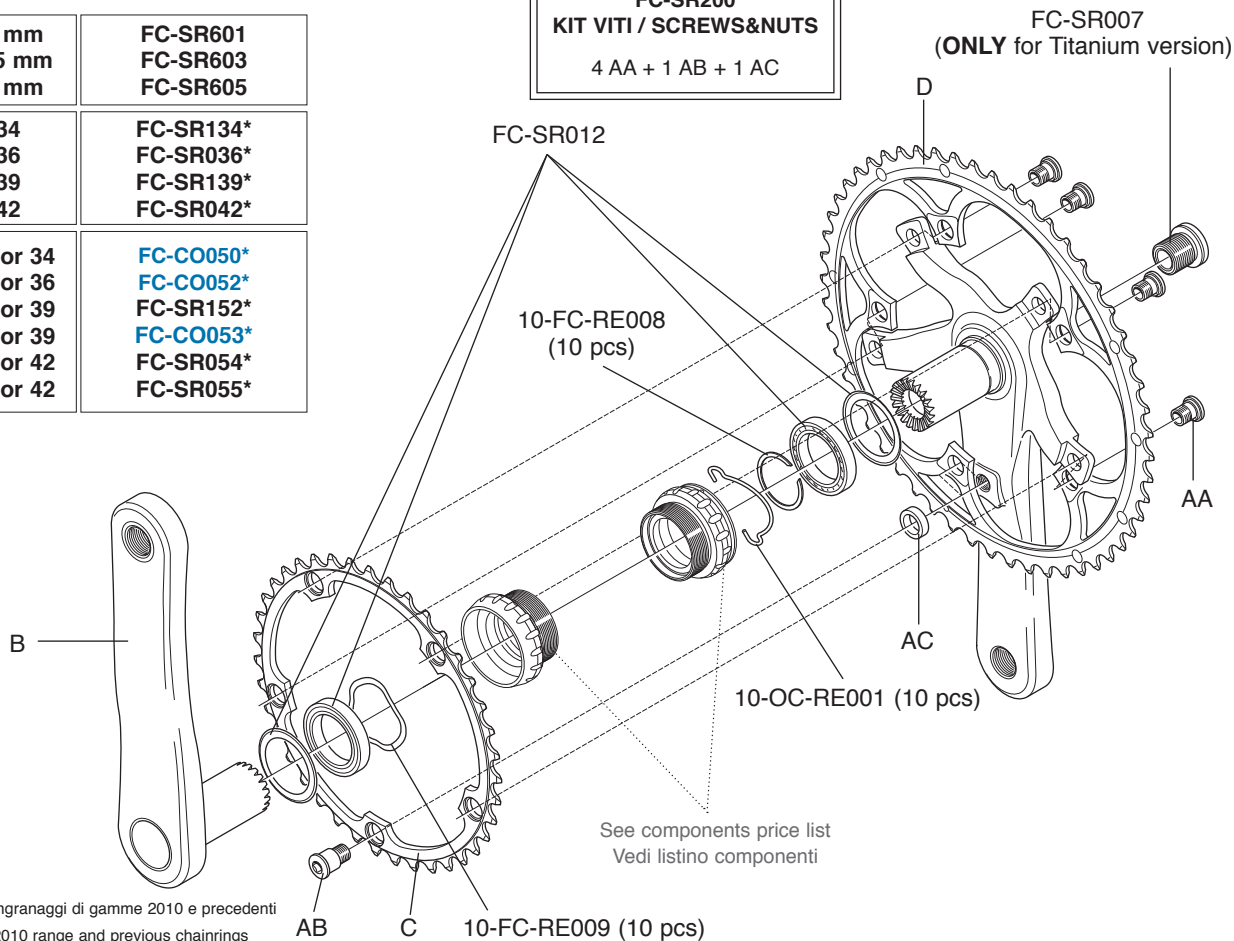


SUPER RECORD 11S MY 2011 - 2014

CARBON - ULTRA-TORQUE

B	170 mm 172,5 mm 175 mm	FC-SR601 FC-SR603 FC-SR605
C	Z34 Z36 Z39 Z42	FC-SR134* FC-SR036* FC-SR139* FC-SR042*
D	Z50 for 34 Z52 for 36 Z52 for 39 Z53 for 39 Z54 for 42 Z55 for 42	FC-CO050* FC-CO052* FC-SR152* FC-CO053* FC-SR054* FC-SR055*

**FC-SR200
KIT VITI / SCREWS&NUTS**
4 AA + 1 AB + 1 AC



* non compatibili con ingranaggi di gamme 2010 e precedenti

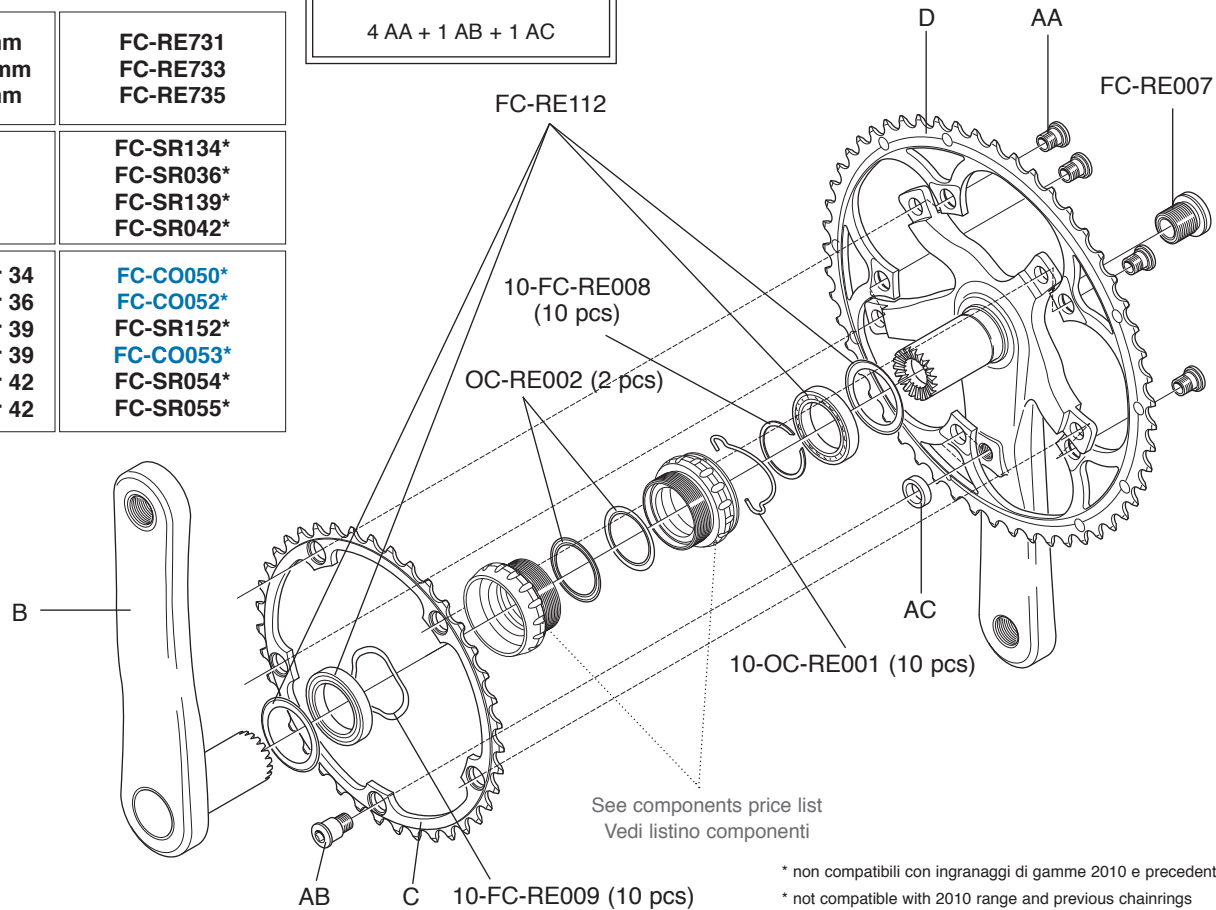
* not compatible with 2010 range and previous chainrings

RECORD 11S MY 2011 - 2014

CARBON - ULTRA-TORQUE

B	170 mm	FC-RE731
	172,5 mm	FC-RE733
	175 mm	FC-RE735
C	Z34	FC-SR134*
	Z36	FC-SR036*
	Z39	FC-SR139*
	Z42	FC-SR042*
D	Z50 for 34	FC-CO050*
	Z52 for 36	FC-CO052*
	Z52 for 39	FC-SR152*
	Z53 for 39	FC-CO053*
	Z54 for 42	FC-SR054*
	Z55 for 42	FC-SR055*

FC-SR200
KIT VITI / SCREWS&NUTS
 4 AA + 1 AB + 1 AC



See components price list
 Vedi listino componenti

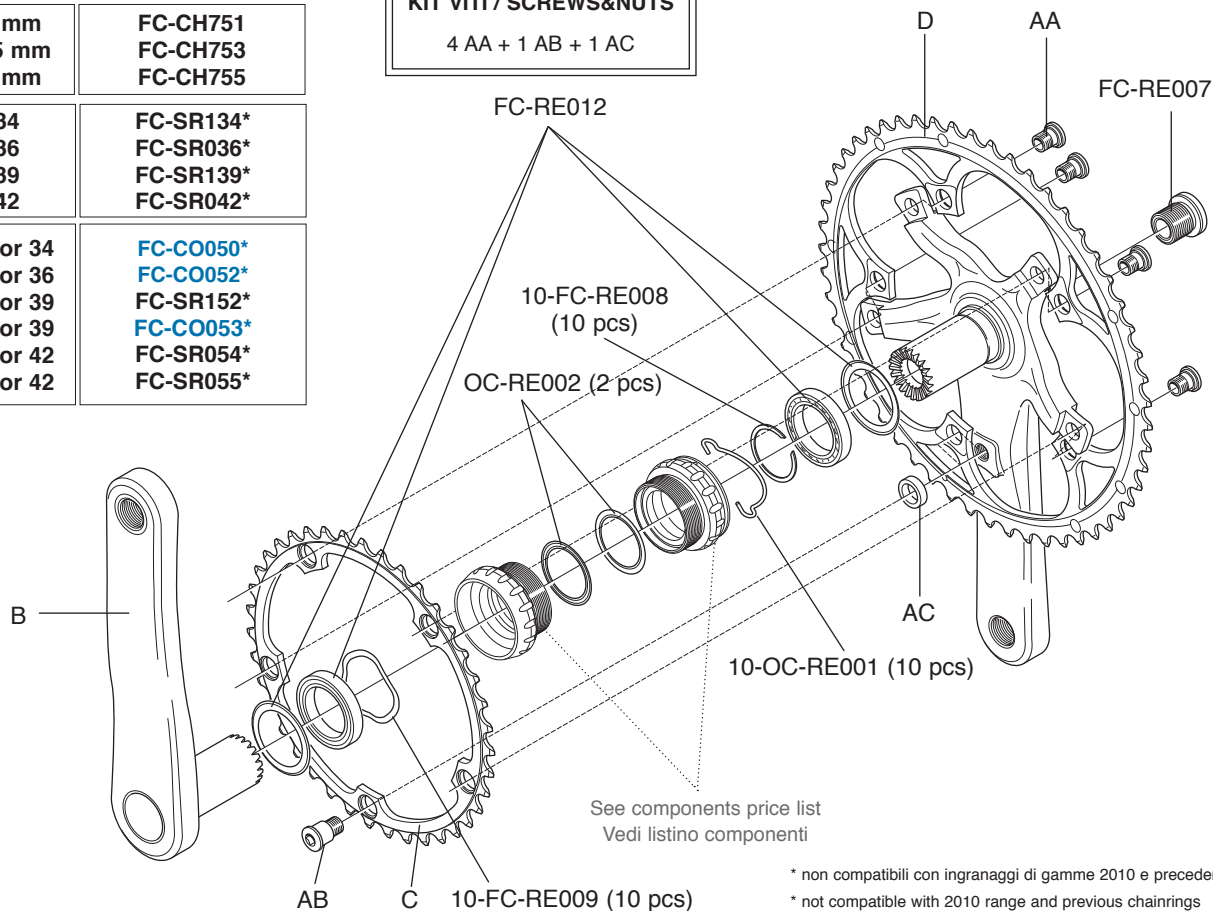
* non compatibili con ingranaggi di gamme 2010 e precedenti
 * not compatible with 2010 range and previous chainrings

CHORUS 11S MY 2011 - 2014

CARBON - ULTRA-TORQUE

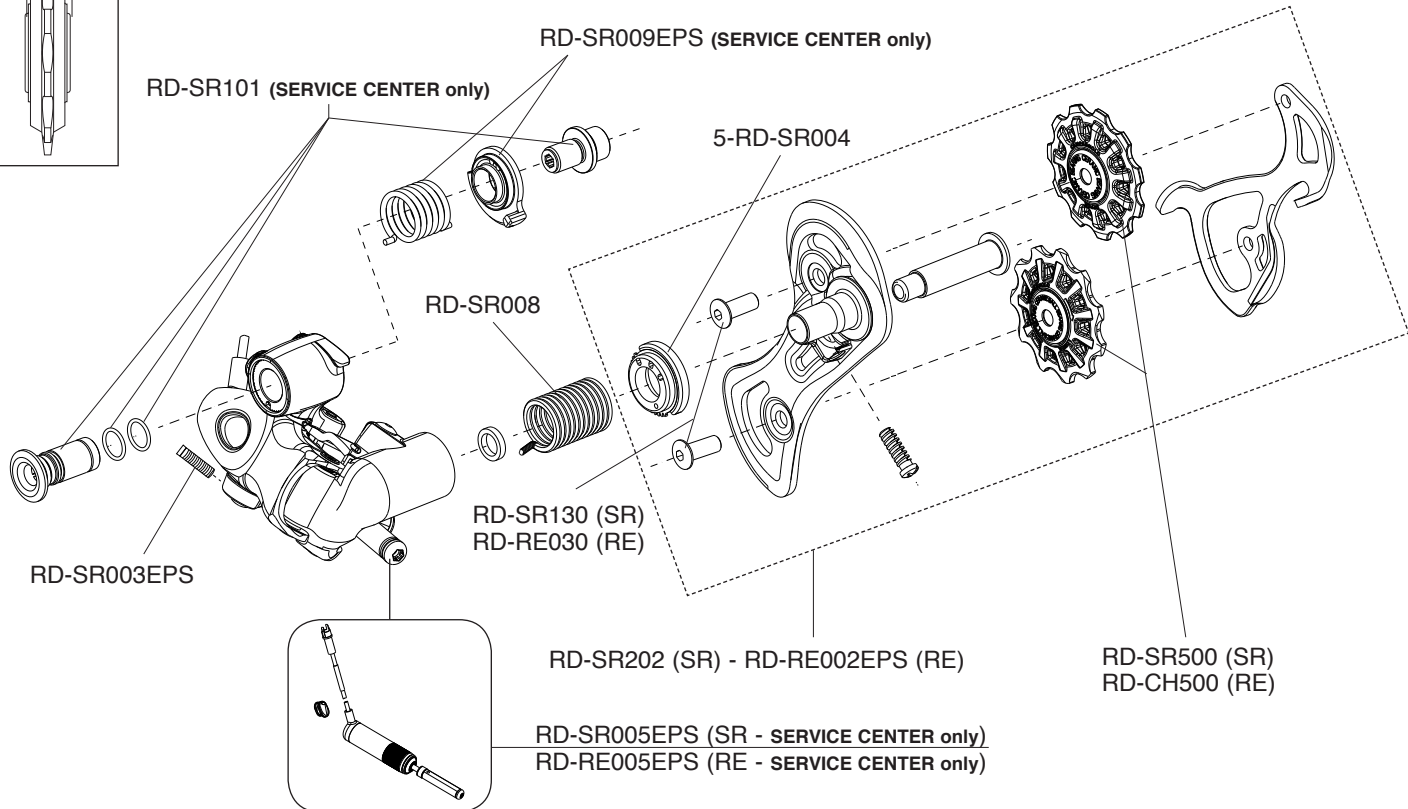
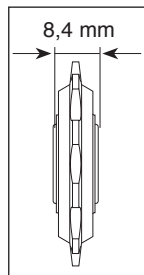
B	170 mm	FC-CH751
	172,5 mm	FC-CH753
	175 mm	FC-CH755
C	Z34	FC-SR134*
	Z36	FC-SR036*
	Z39	FC-SR139*
	Z42	FC-SR042*
D	Z50 for 34	FC-CO050*
	Z52 for 36	FC-CO052*
	Z52 for 39	FC-SR152*
	Z53 for 39	FC-CO053*
	Z54 for 42	FC-SR054*
	Z55 for 42	FC-SR055*

FC-SR200
KIT VITI / SCREWS&NUTS
 4 AA + 1 AB + 1 AC

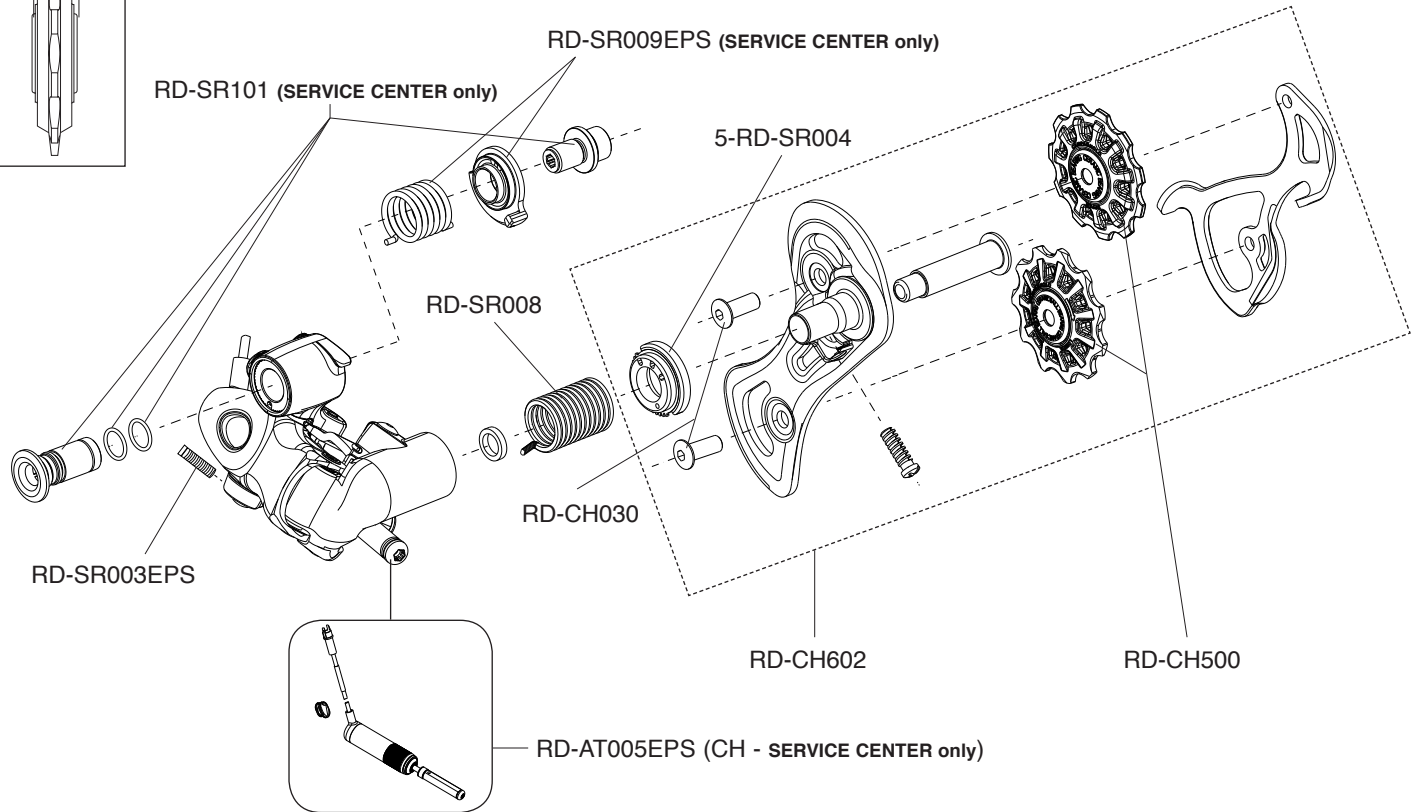
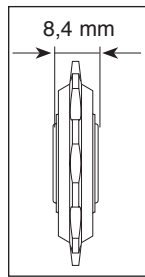


* non compatibili con ingranaggi di gamme 2010 e precedenti
 * not compatible with 2010 range and previous chainrings

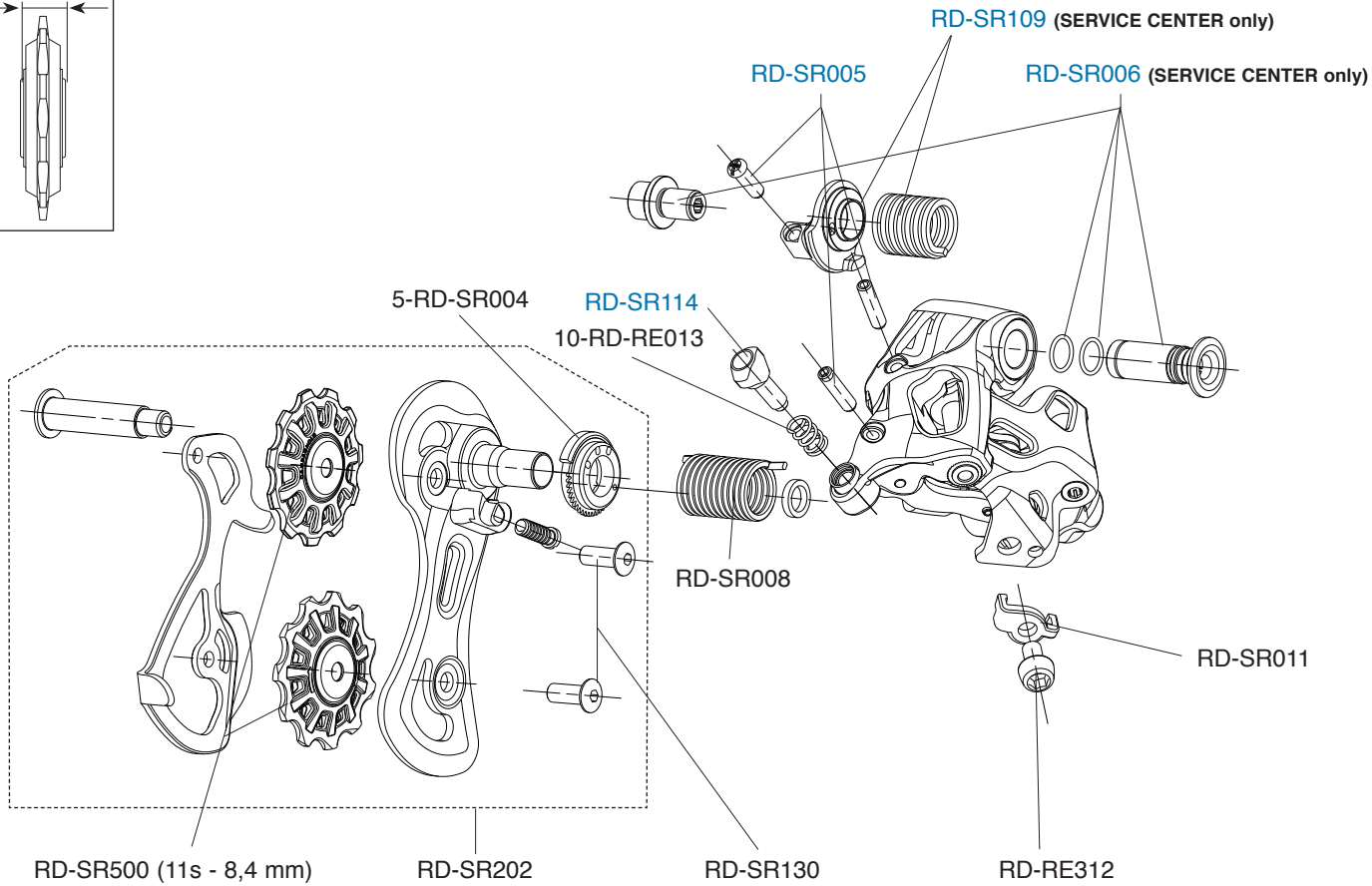
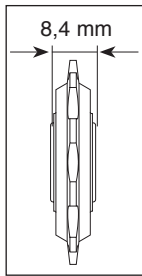
SUPER RECORD EPS / RECORD EPS



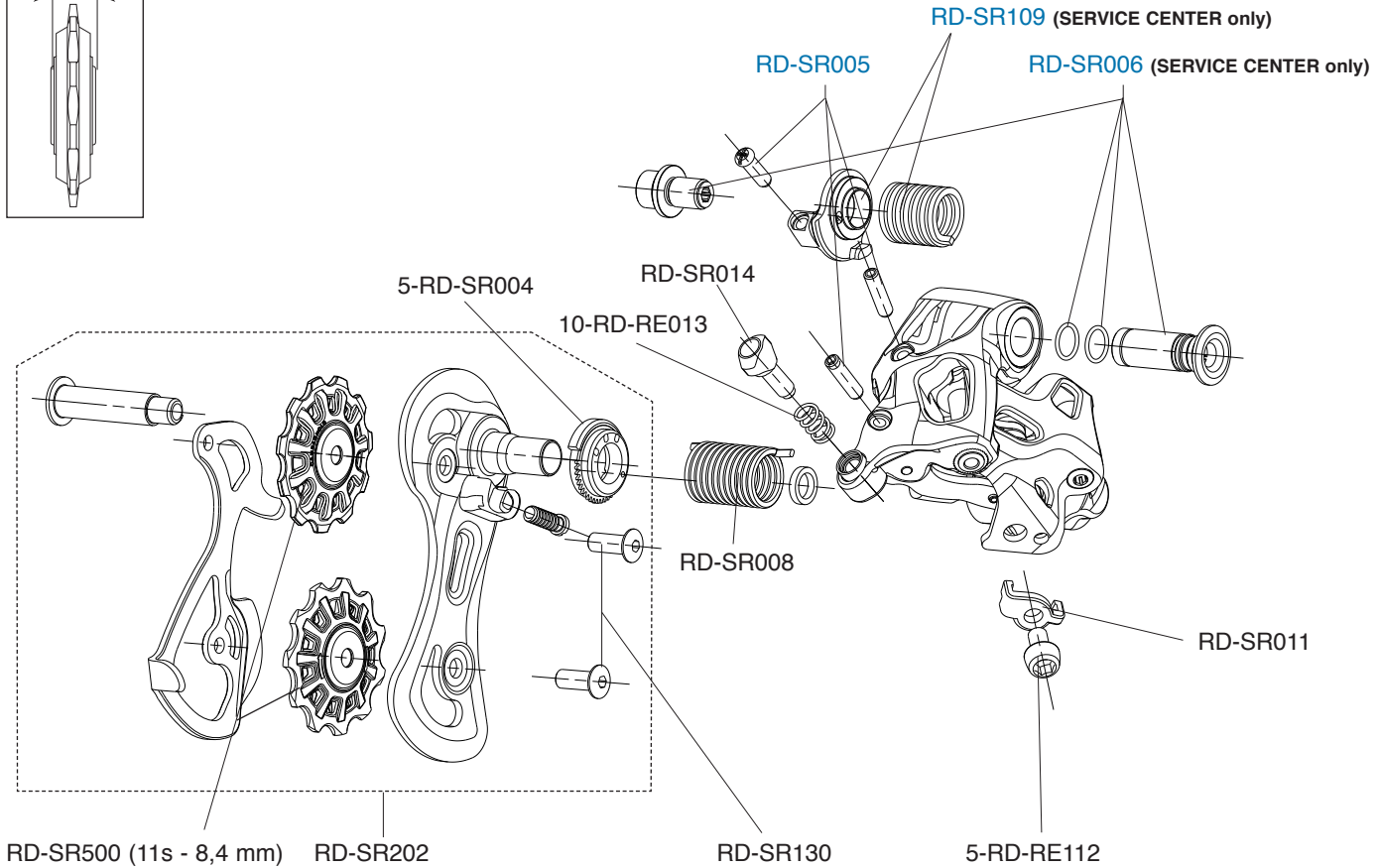
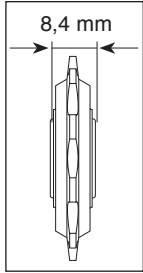
CHORUS EPS



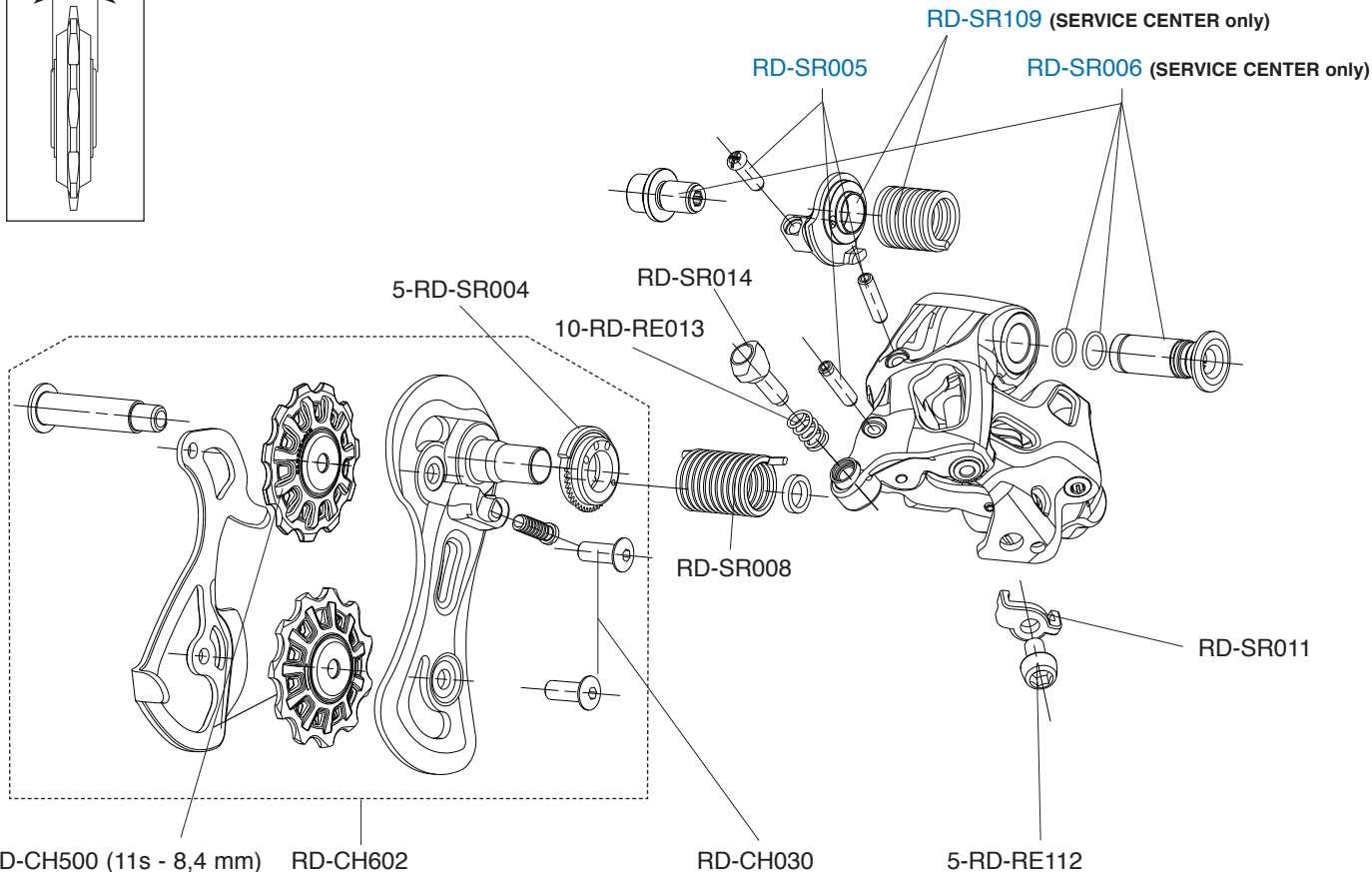
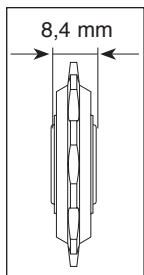
SUPER RECORD 11S



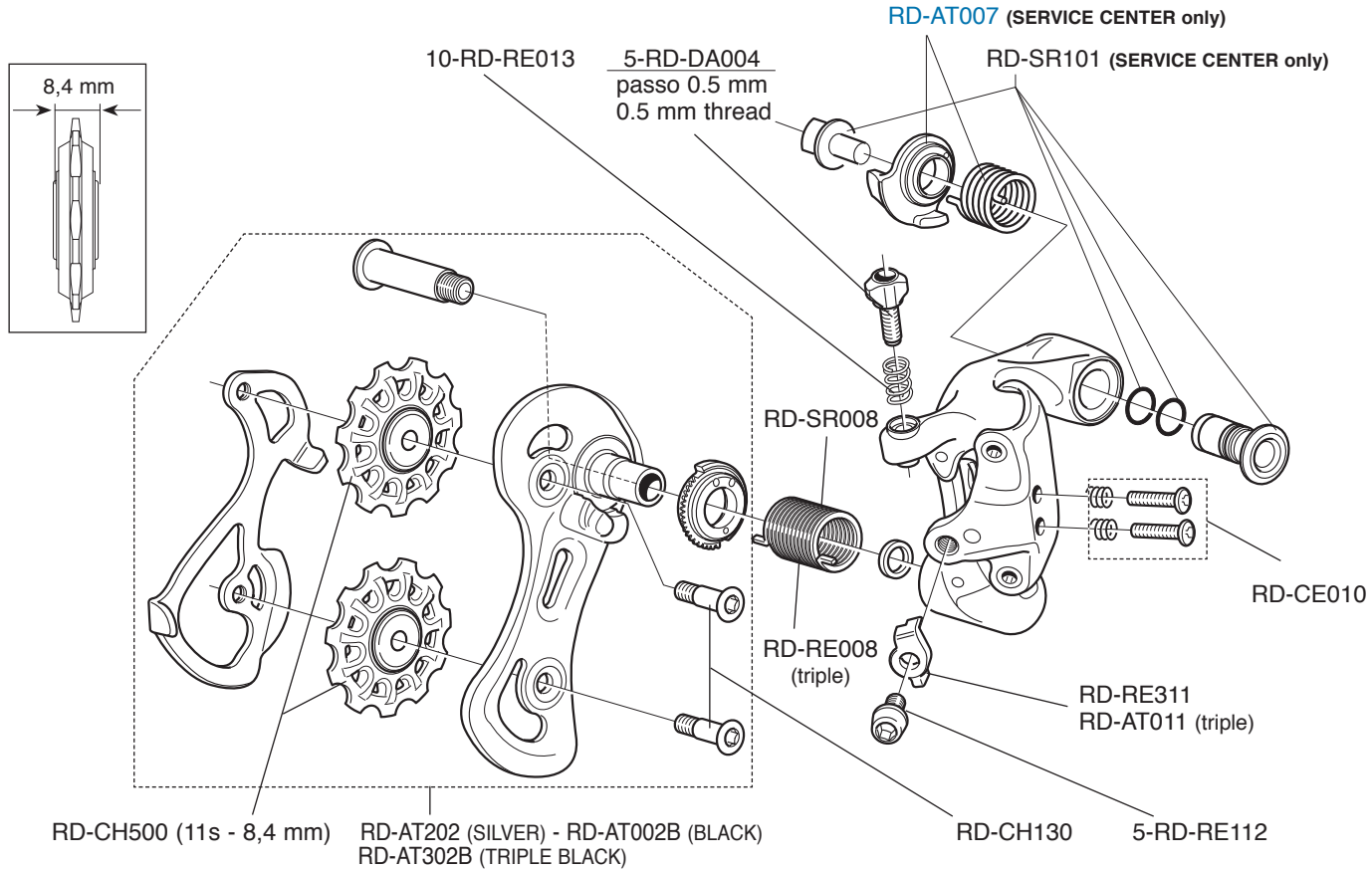
RECORD 11S



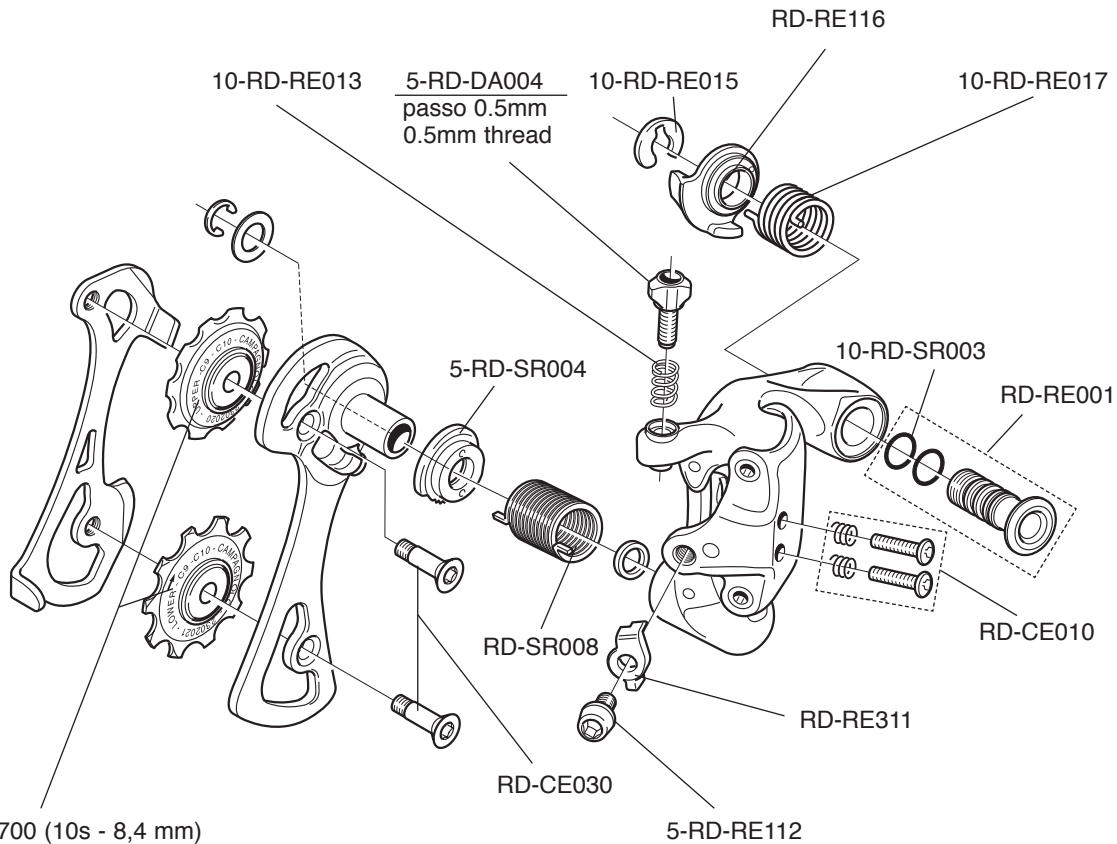
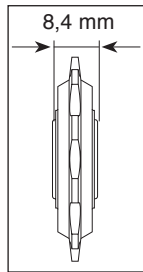
CHORUS 11S



ATHENA 11S / ATHENA TRIPLE 11S

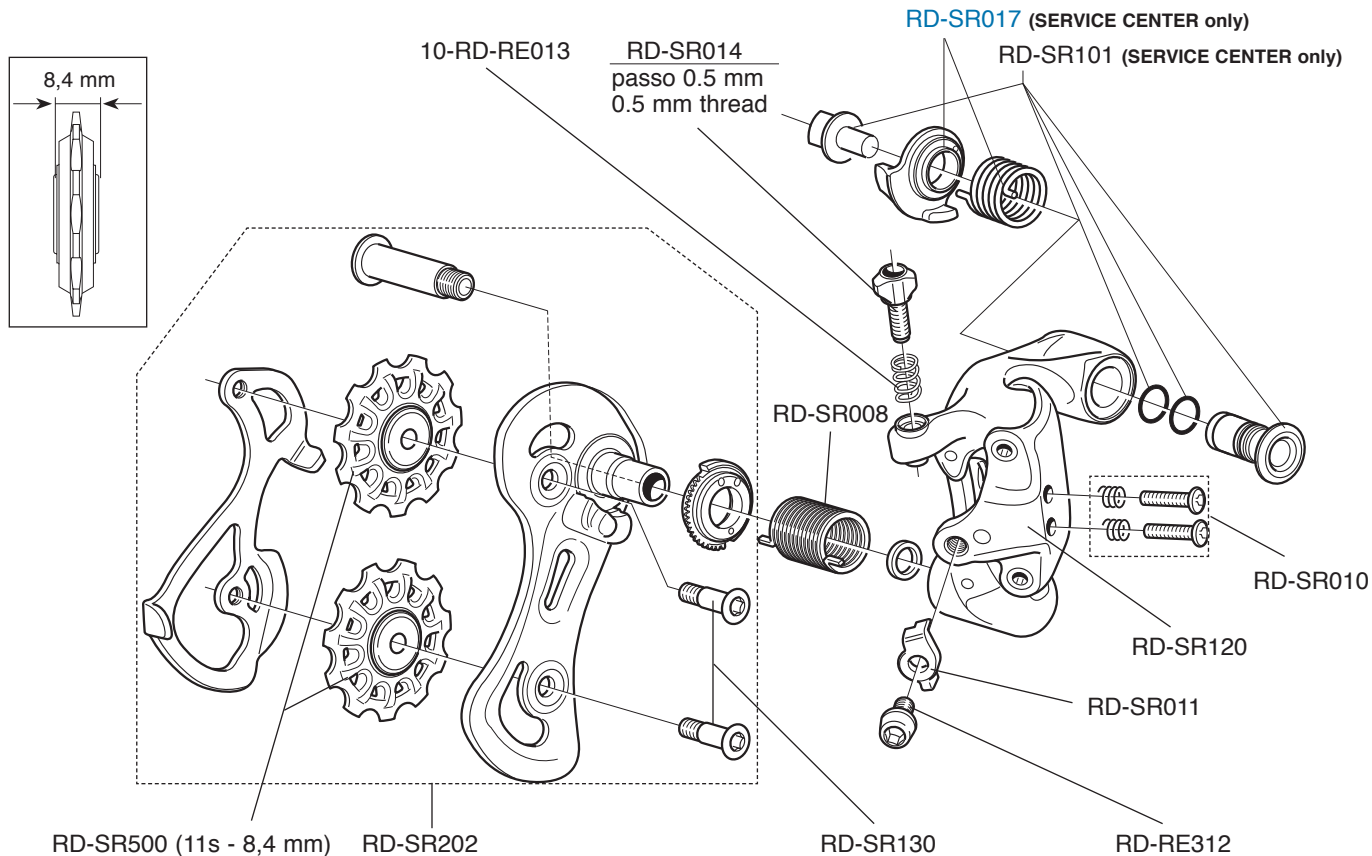


VELOCE 10S



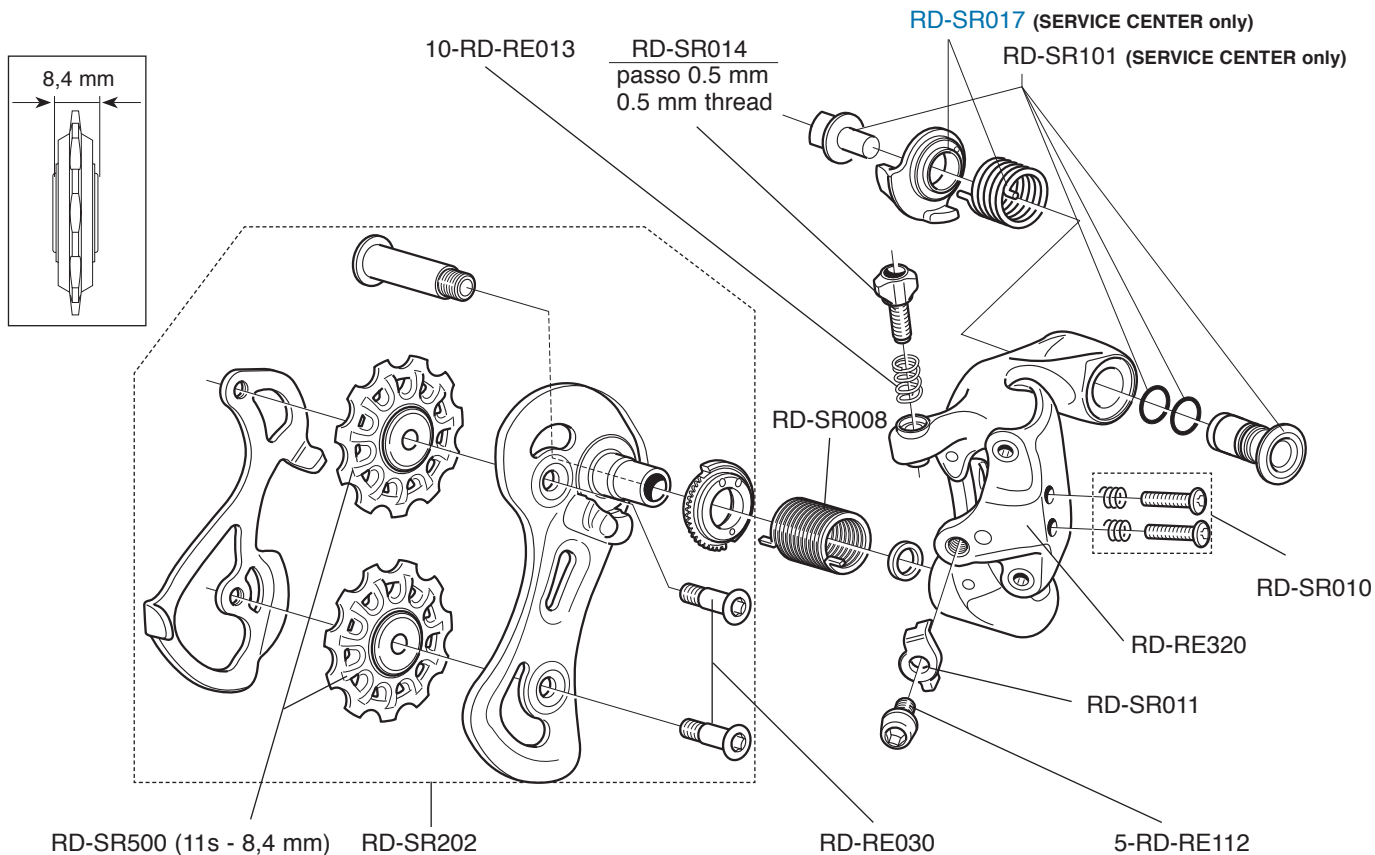
SUPER RECORD 11S MY 2011-2014

Complete rear derailleur: RD-11SR1SP



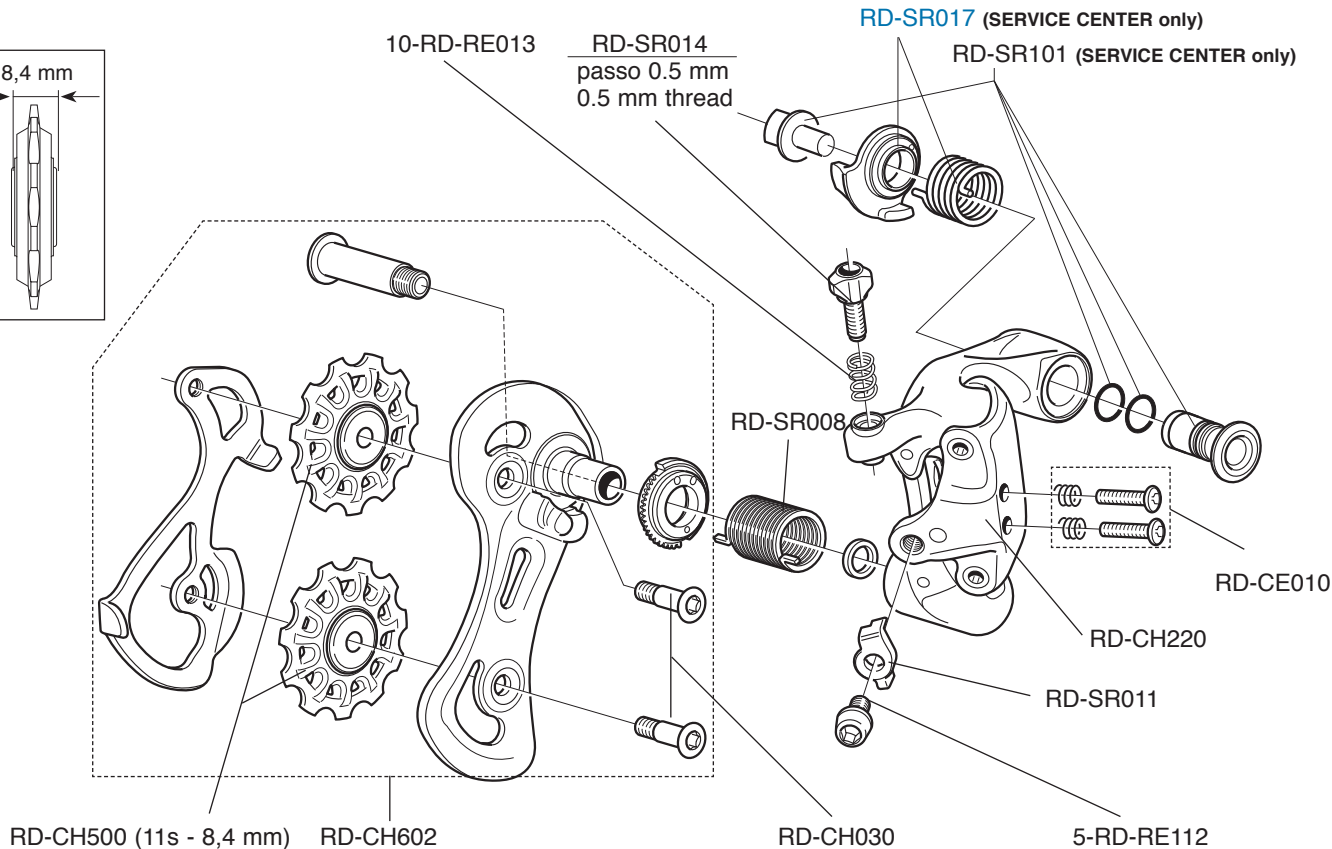
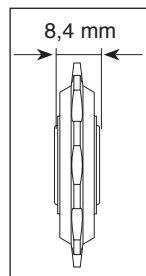
RECORD 11S MY 2011-2014

Complete rear derailleur: RD-11RE1SP

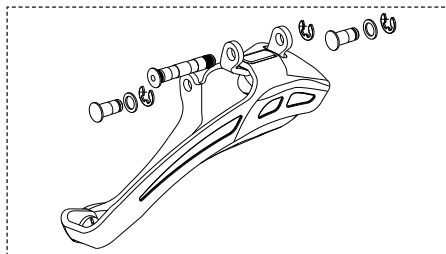
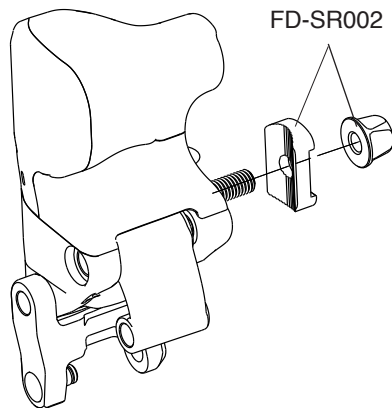


CHORUS 11S MY 2011-2014

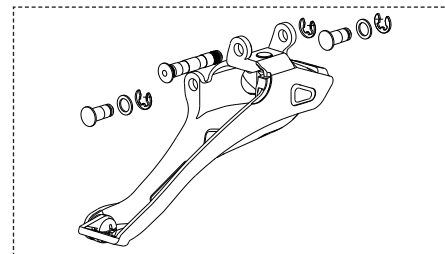
Complete rear derailleur: RD-11CH1SP



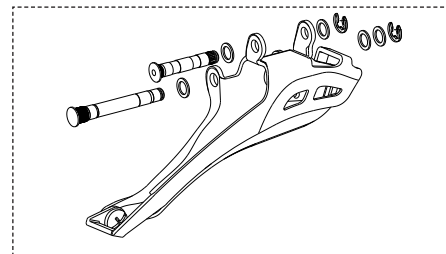
SUPER RECORD EPS / RECORD EPS / CHORUS EPS



SERVICE CENTER only!
FD-SR115EPS (SR)

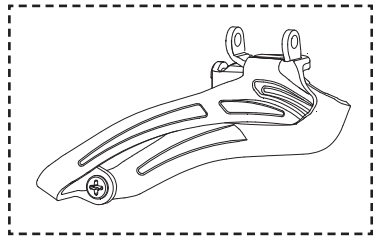


SERVICE CENTER only!
FD-RE115EPS (RE)



SERVICE CENTER only!
FD-AT015EPS (CH)

SUPER RECORD 11S



FD-SR115

FD-SR102

FD-SR102

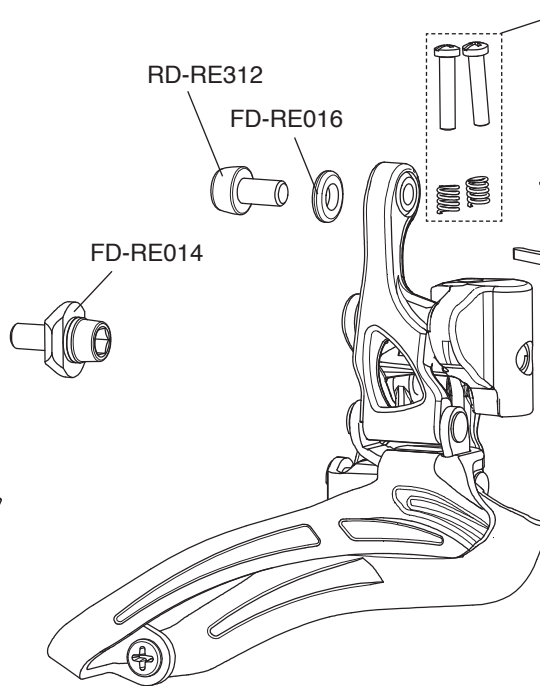
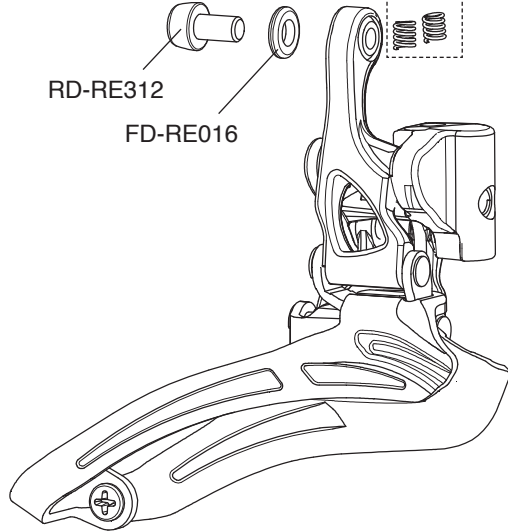
RD-RE312
FD-RE016

RD-RE312
FD-RE016

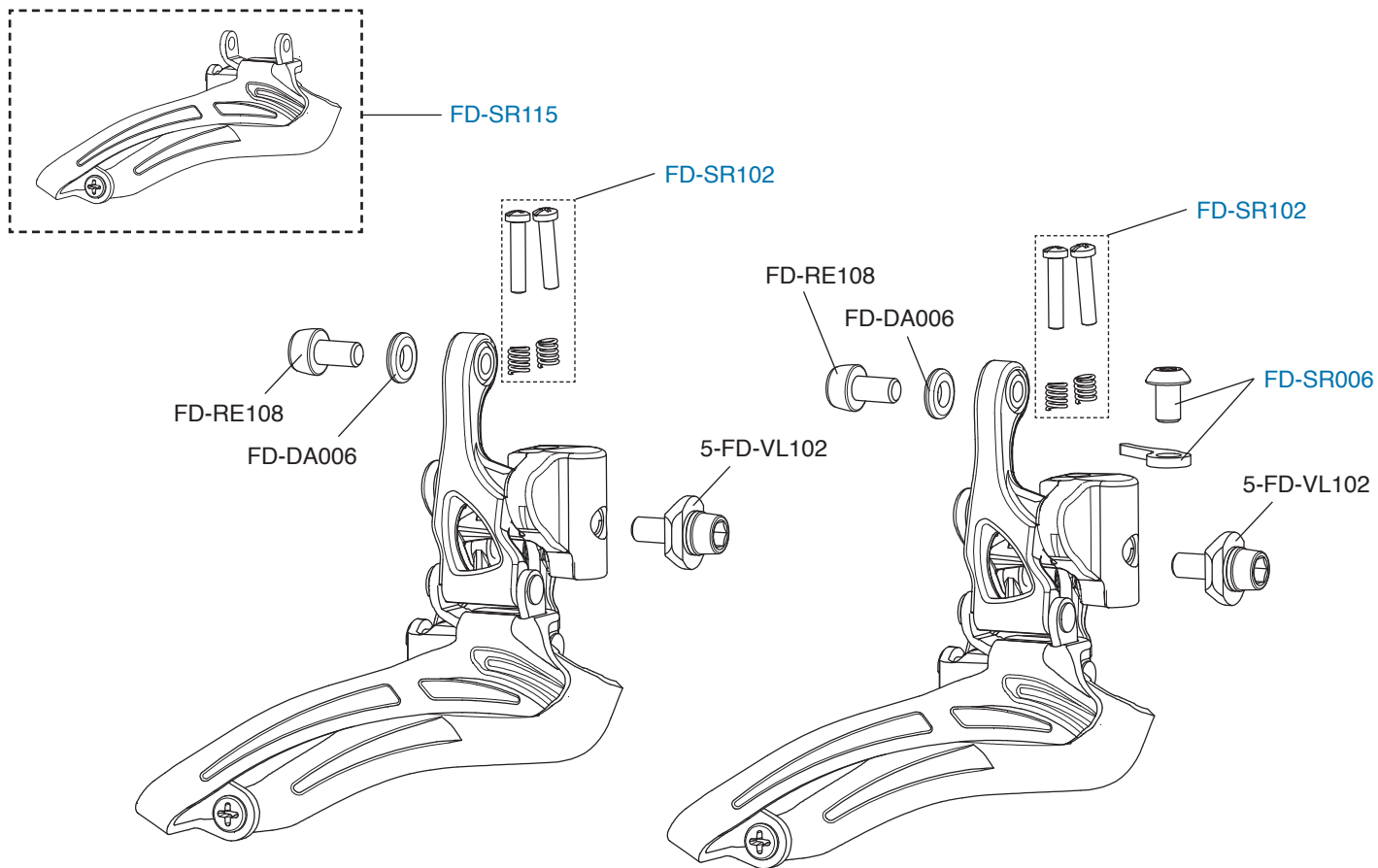
FD-SR006

FD-RE014

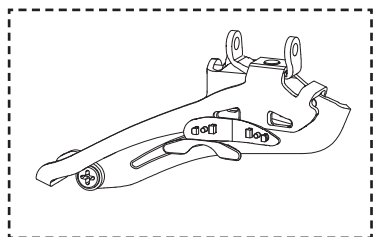
FD-RE014



RECORD 11S



CHORUS 11S



FD-CH015

FD-SR102



FD-RE108
FD-DA006

FD-RE108
FD-DA006

FD-SR102

FD-SR006

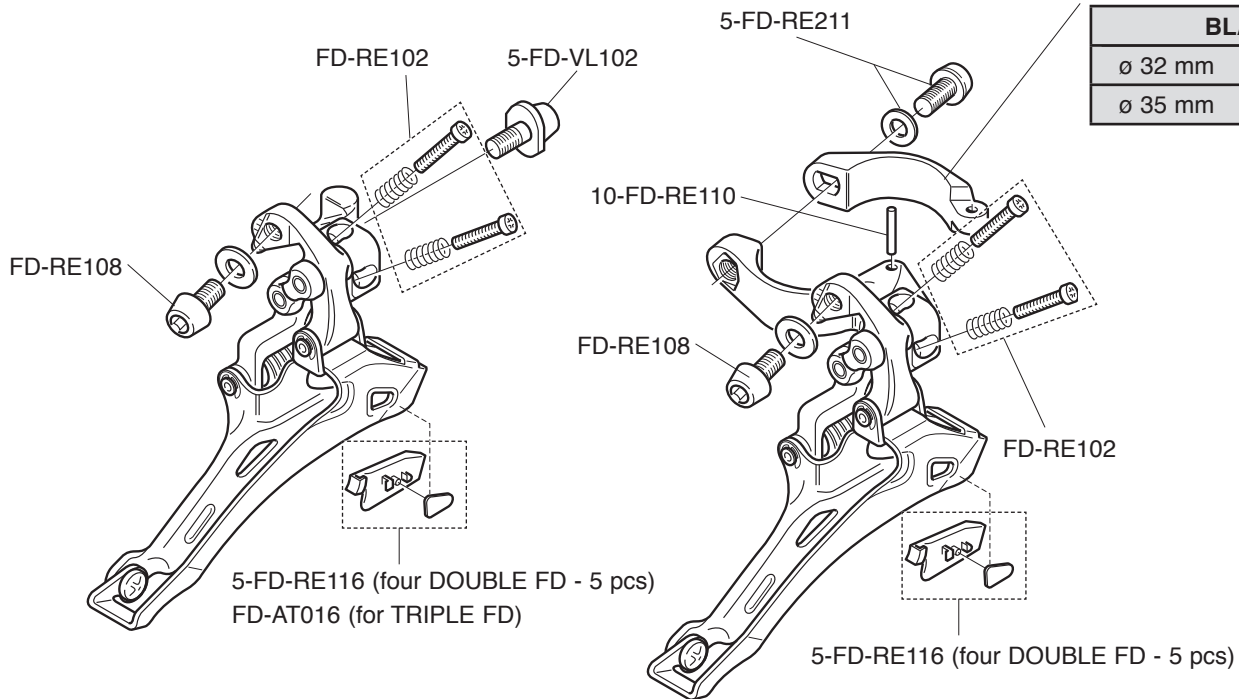
5-FD-VL102

5-FD-VL102

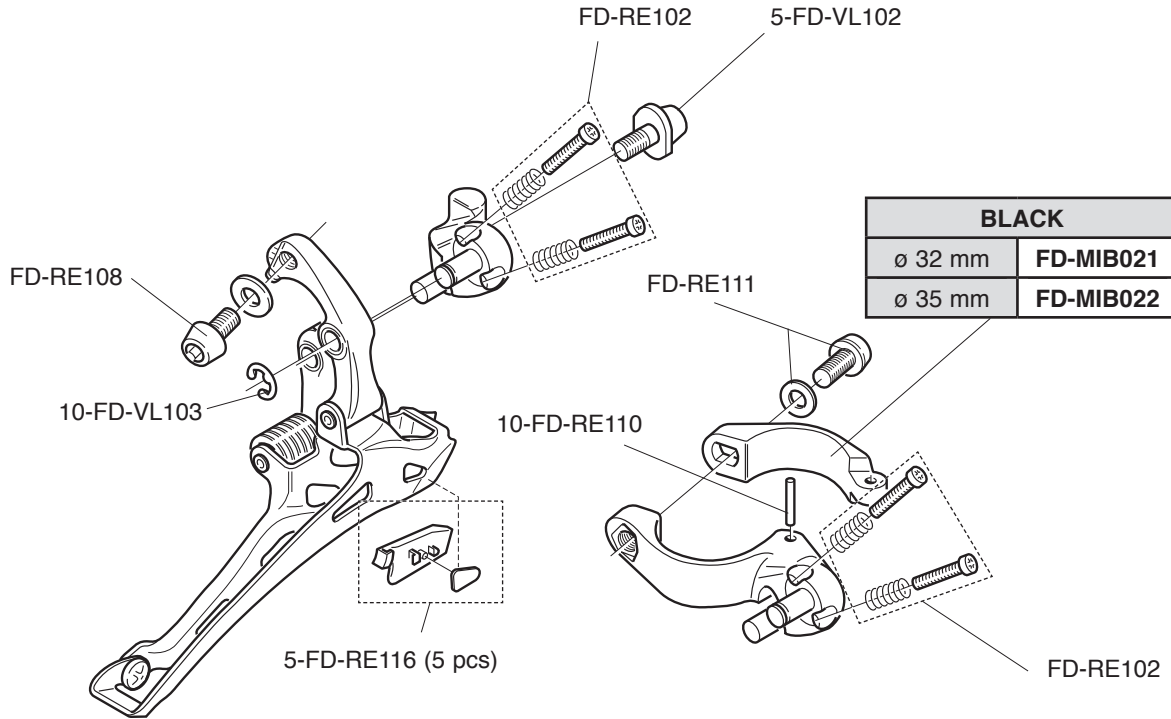
FD-CH016

FD-CH016

ATHENA 11S / ATHENA TRIPLE 11S

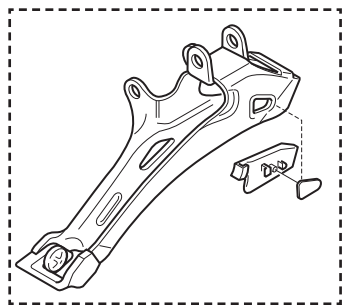


VELOCE 10S



SUPER RECORD 11S MY 2011-2014

Complete front derailleur: FD-11SR2BSP



FD-SR015

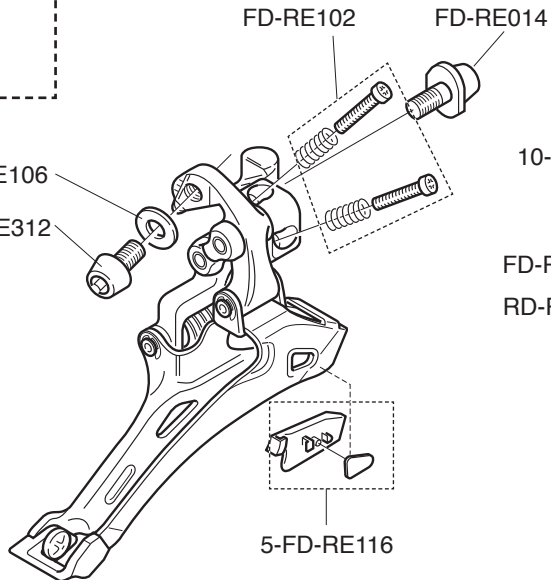
FD-RE106

RD-RE312

FD-RE102

FD-RE014

5-FD-RE116



ø 32 mm	FD-SR021
ø 35 mm	FD-SR022

FD-SR011

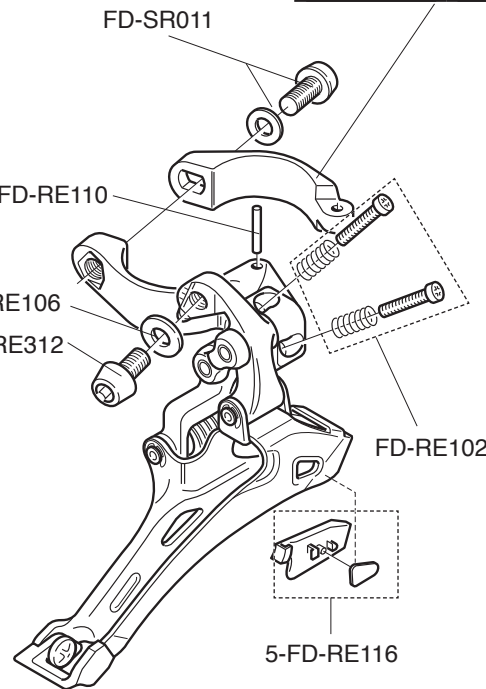
10-FD-RE110

FD-RE106

RD-RE312

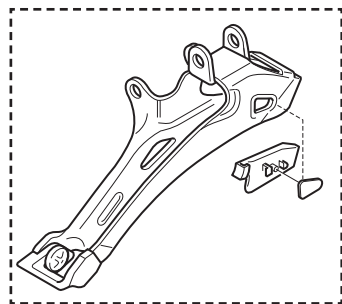
FD-RE102

5-FD-RE116



RECORD 11S MY 2011-2014

Complete front derailleur: FD-11RE2BSP



FD-SR015

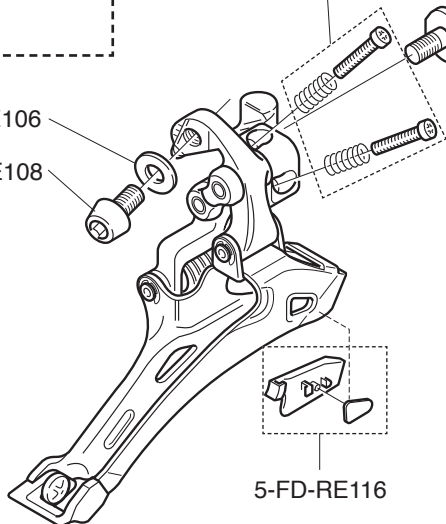
FD-RE102

5-FD-VL102

FD-RE106

FD-RE108

5-FD-RE116



5-FD-RE211

10-FD-RE110

FD-RE106

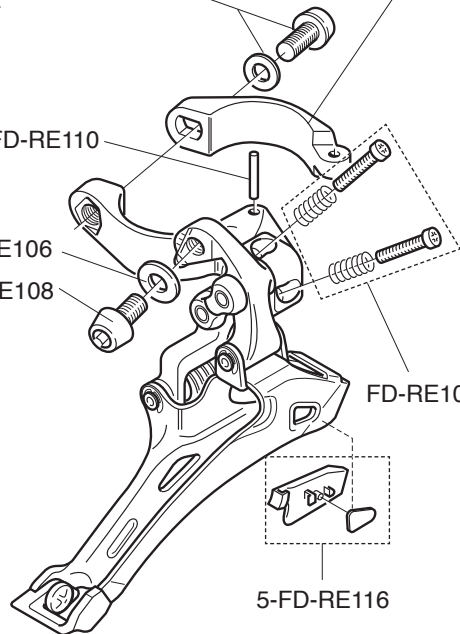
FD-RE108

ø 32 mm	FD-SR021
---------	----------

ø 35 mm	FD-SR022
---------	----------

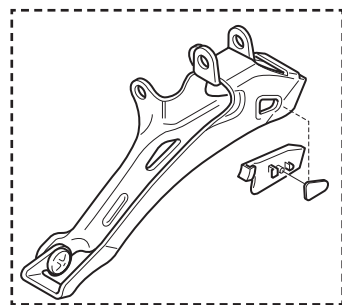
FD-RE102

5-FD-RE116



CHORUS 11S MY 2011-2014

Complete front derailleur: FD-11CH2BSP



FD-CH301

FD-RE108

FD-RE102

5-FD-VL102

5-FD-RE116

ø 32 mm	FD-SR021
ø 35 mm	FD-SR022

5-FD-RE211

10-FD-RE110

FD-RE108

FD-RE102

5-FD-RE116

SUPER RECORD EPS 11S

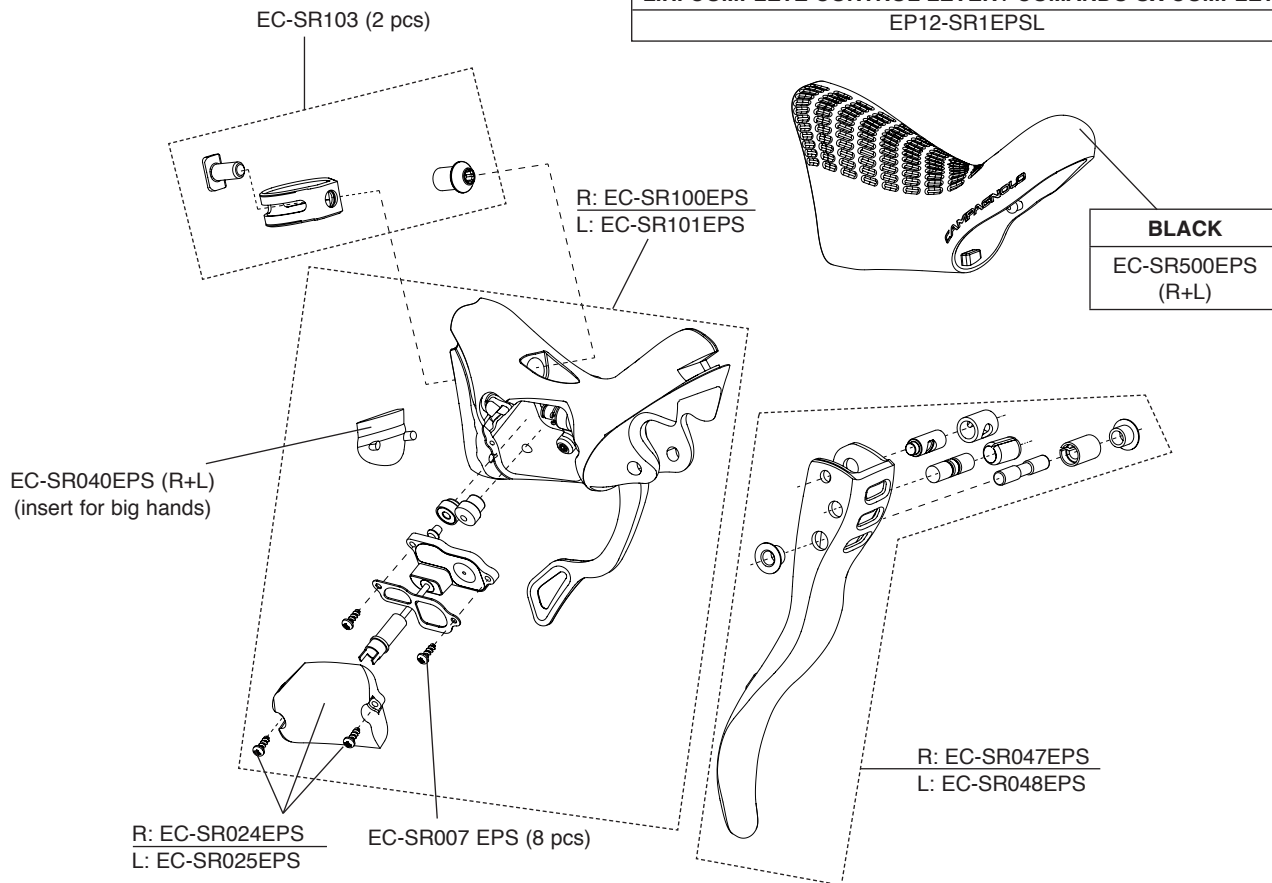
CARBON

R.H. COMPLETE CONTROL LEVER / COMANDO DX COMPLETO

EP12-SR1EPSR

L.H. COMPLETE CONTROL LEVER / COMANDO SX COMPLETO

EP12-SR1EPSL



RECORD EPS 11S

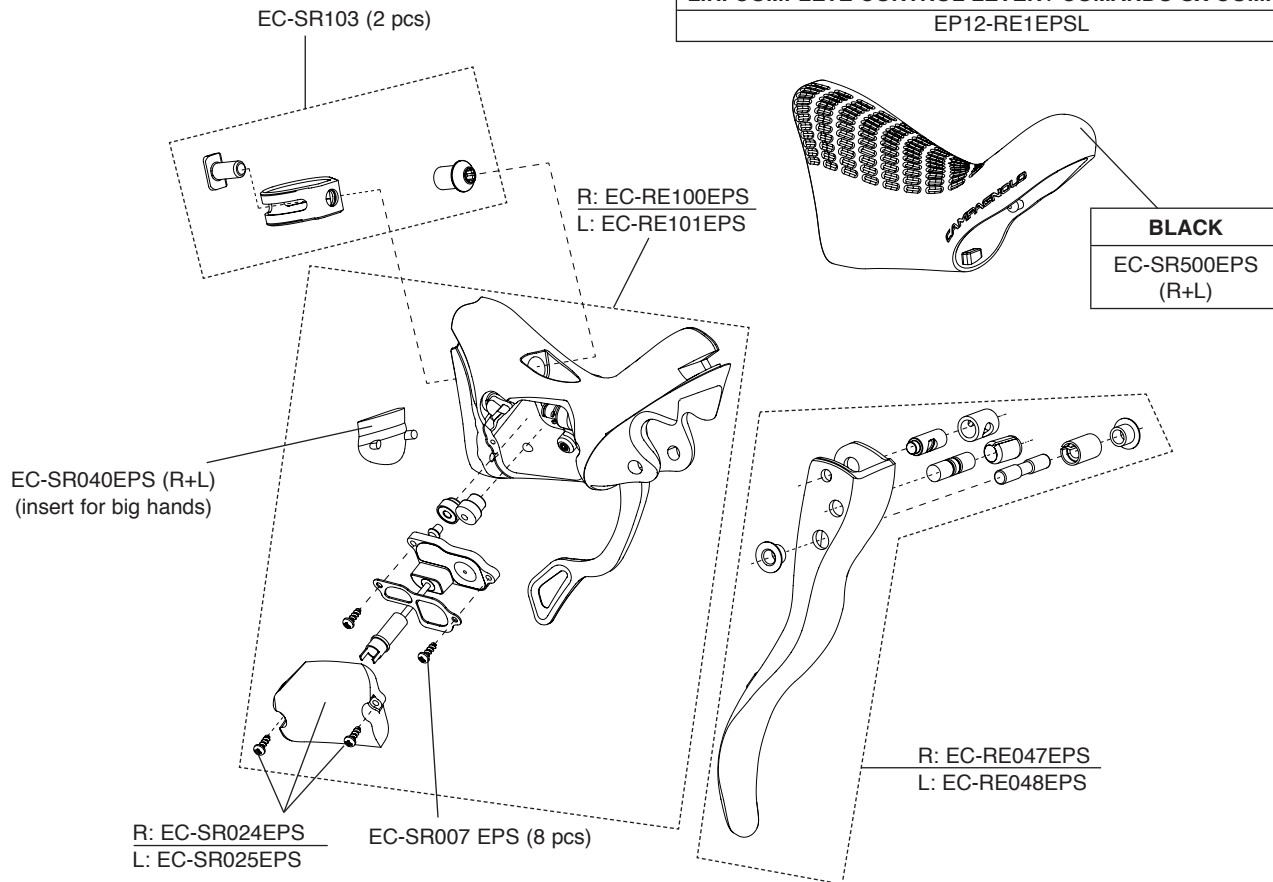
CARBON

R.H. COMPLETE CONTROL LEVER / COMANDO DX COMPLETO

EP12-RE1EPSR

L.H. COMPLETE CONTROL LEVER / COMANDO SX COMPLETO

EP12-RE1EPSL



CHORUS EPS 11S

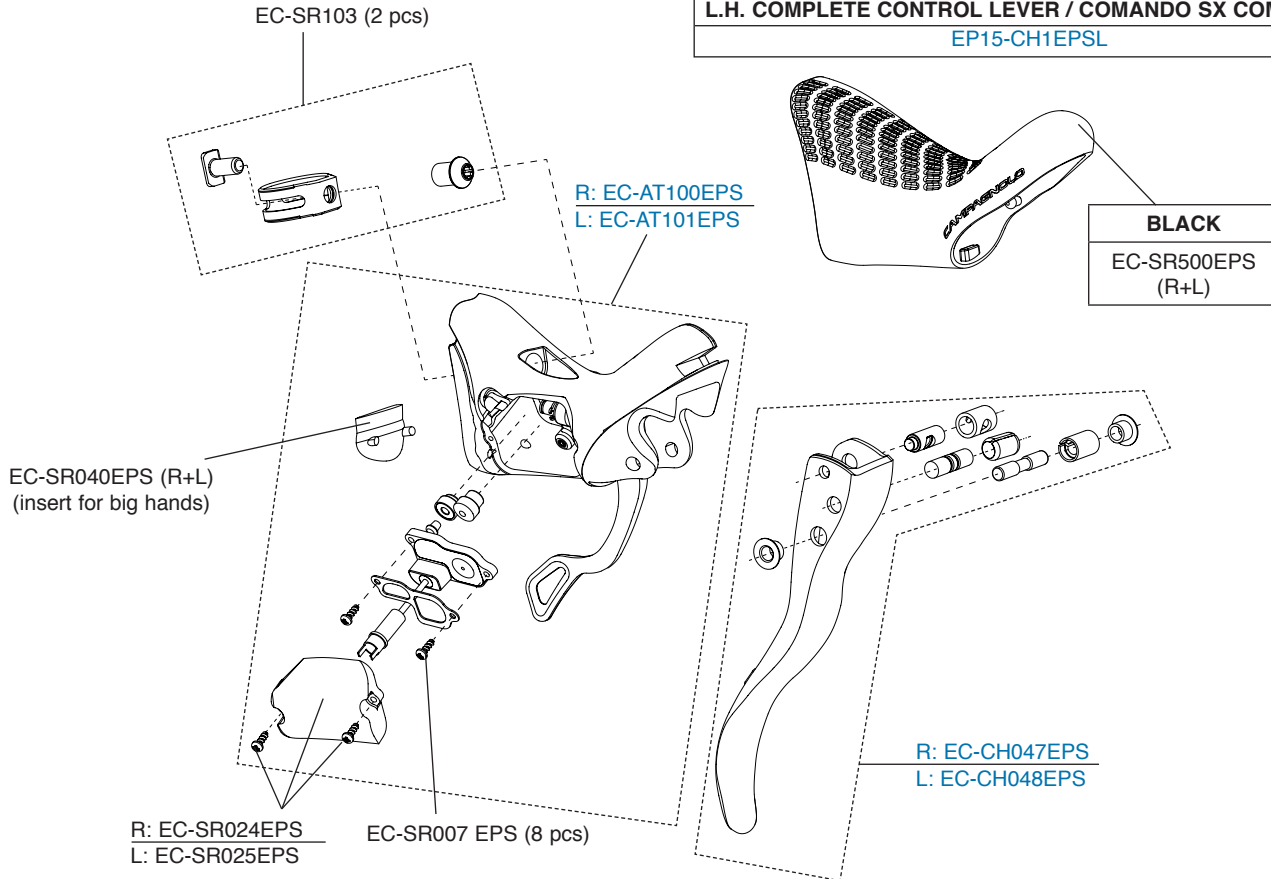
CARBON

R.H. COMPLETE CONTROL LEVER / COMANDO DX COMPLETO

EP15-CH1EPSR

L.H. COMPLETE CONTROL LEVER / COMANDO SX COMPLETO

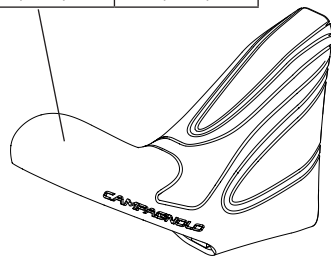
EP15-CH1EPSL



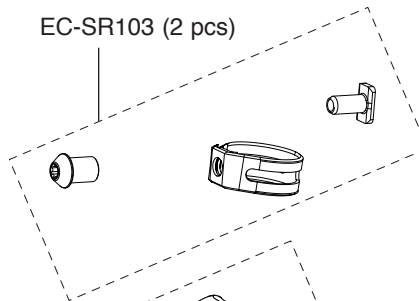
SUPER RECORD 11S

CARBON - ULTRA-SHIFT

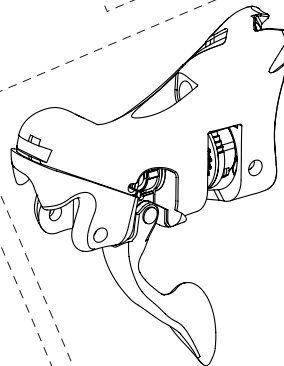
BLACK	WHITE	RED
EC-SR600 (R+L)	EC-SR600W (R+L)	EC-SR600R (R+L)



EC-SR103 (2 pcs)



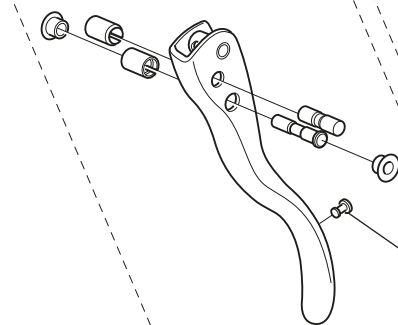
R: EC-SR200
L: EC-SR201



R: EC-SR004
L: EC-SR005



R: EC-SR247
L: EC-SR248



EC-SR050
(R+L - 5 pairs)

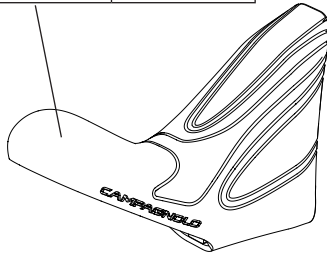


(insert for big hands)
EC-SR040 (R+L)

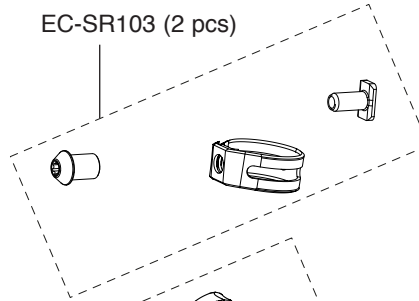
RECORD 11S

CARBON - ULTRA-SHIFT

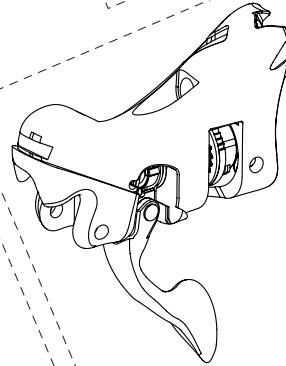
BLACK	WHITE	RED
EC-SR600 (R+L)	EC-SR600W (R+L)	EC-SR600R (R+L)



EC-SR103 (2 pcs)



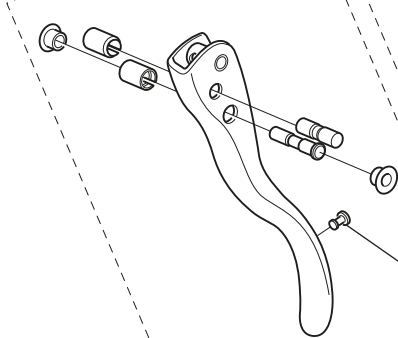
R: EC-RE300
L: EC-RE301



R: EC-SR004
L: EC-SR005



R: EC-RE747
L: EC-RE648



EC-SR050
(R+L - 5 pairs)

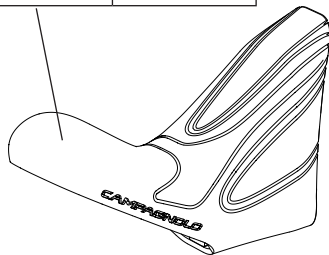


(insert for big hands)
EC-SR040 (R+L)

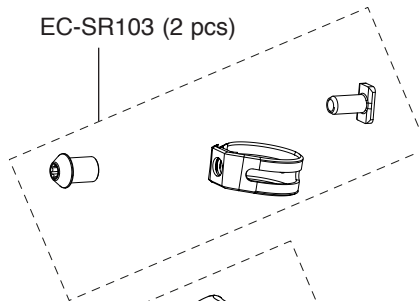
CHORUS 11S

CARBON - ULTRA-SHIFT

BLACK	WHITE	RED
EC-SR600 (R+L)	EC-SR600W (R+L)	EC-SR600R (R+L)

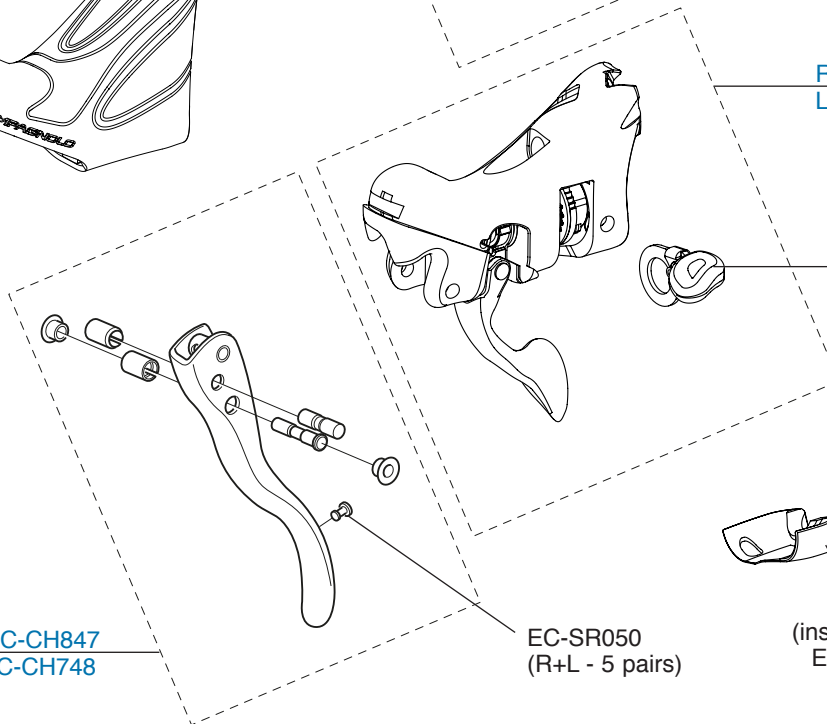


EC-SR103 (2 pcs)



R: EC-RE300
L: EC-RE301

R: EC-SR004
L: EC-SR005



R: EC-CH847
L: EC-CH748

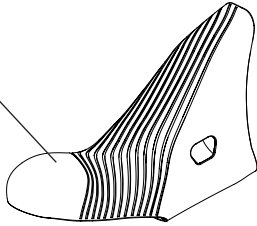
EC-SR050
(R+L - 5 pairs)

(insert for big hands)
EC-SR040 (R+L)

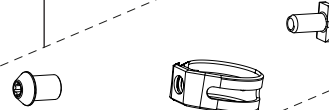
ATHENA 11S

POWER-SHIFT

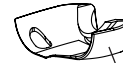
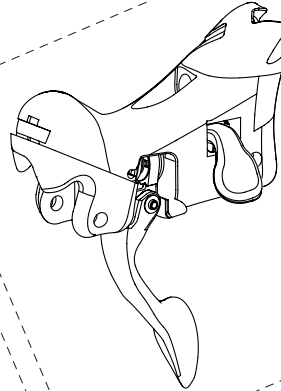
BLACK	WHITE	RED
EC-AT500B (R+L)	EC-AT500W (R+L)	EC-AT500R (R+L)



EC-SR103 (2 pcs)



R: EC-AT400C (carbon/black)
EC-AT400S (silver)
L: EC-AT401C (carbon/black)
EC-AT401S (silver)



(insert for big hands)
EC-SR040 (R+L)

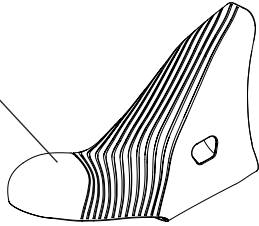
R: EC-AT747C (carbon)
EC-AT647 (silver)
EC-AT647B (black)
L: EC-AT848C (carbon)
EC-AT648 (silver)
EC-AT648B (black)

EC-SR050
(R+L - 5 pairs)

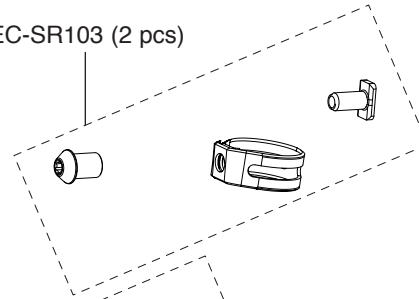
ATHENA TRIPLE 11S

POWER-SHIFT

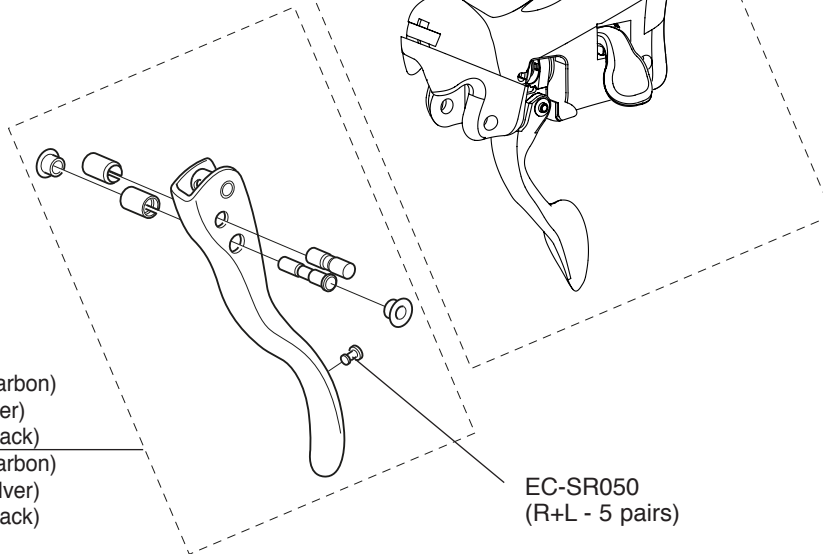
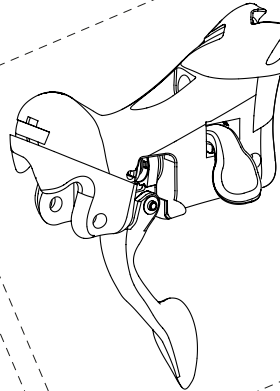
BLACK	WHITE	RED
EC-AT500B (R+L)	EC-AT500W (R+L)	EC-AT500R (R+L)



EC-SR103 (2 pcs)



R: EC-AT400C
L: EC-AT403C



(insert for big hands)
EC-SR040 (R+L)

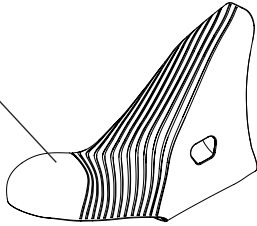
R: EC-AT747C (carbon)
EC-AT647 (silver)
EC-AT647B (black)
L: EC-AT948C (carbon)
EC-AT748S (silver)
EC-AT748B (black)

EC-SR050
(R+L - 5 pairs)

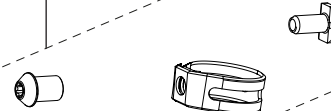
VELOCE 10S

POWER-SHIFT

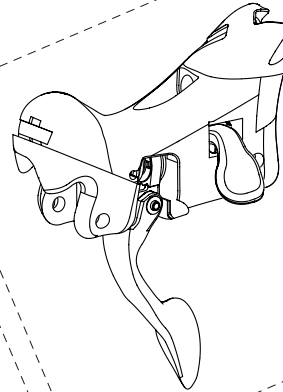
BLACK	WHITE	RED
EC-AT500B (R+L)	EC-AT500W (R+L)	EC-AT500R (R+L)



EC-SR103 (2 pcs)



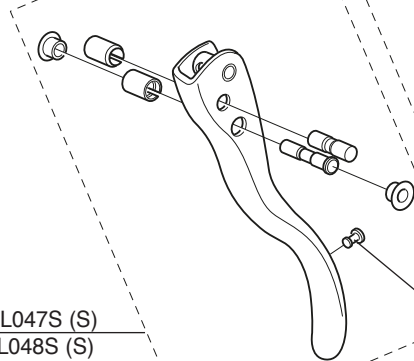
R: EC-VL200
L: EC-AT401C



(insert for big hands)
EC-SR040 (R+L)

R: EC-VL047B (B) - EC-VL047S (S)

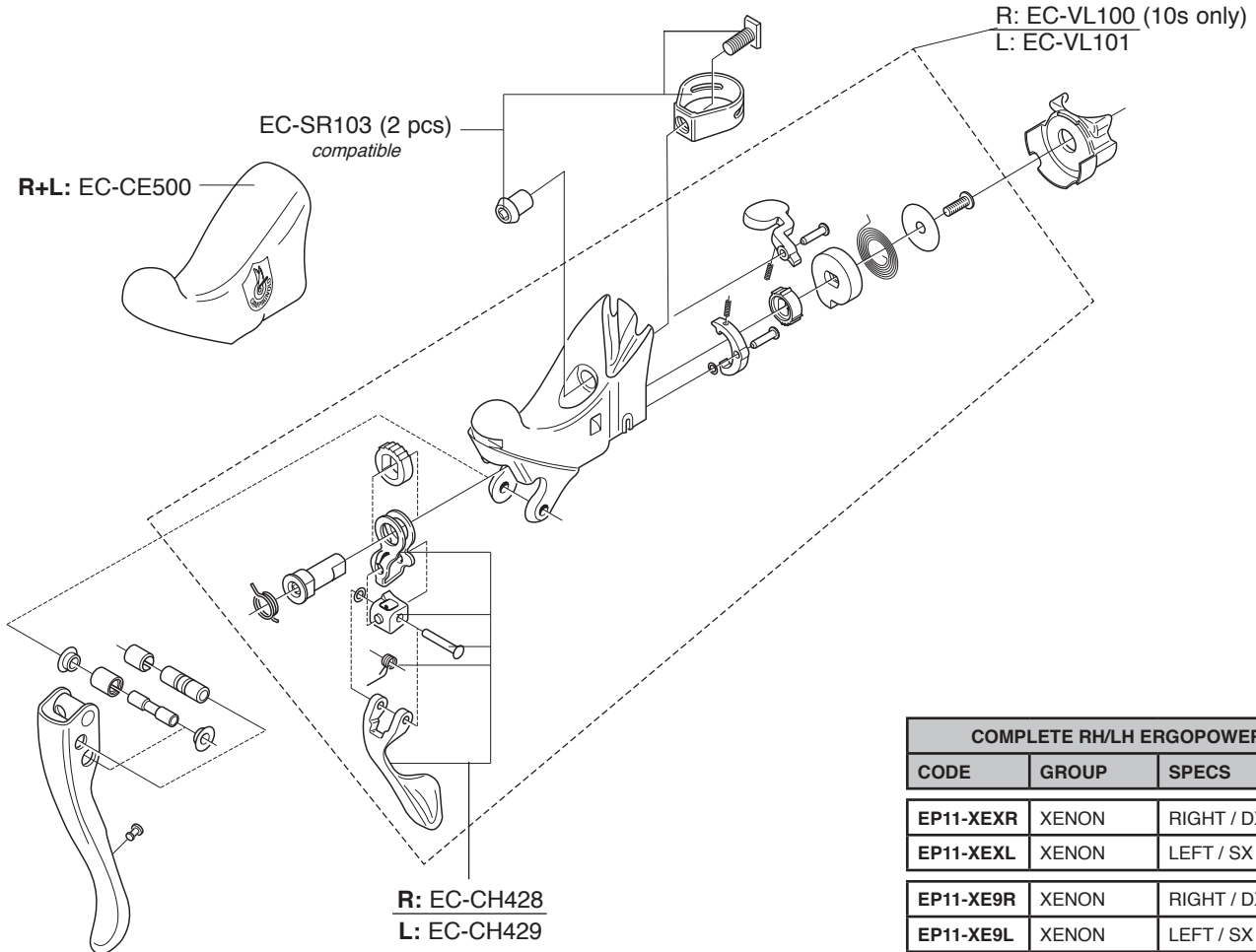
L: EC-VL048B (B) - EC-VL048S (S)



EC-SR050
(R+L - 5 pairs)

ALL VERSIONS

ESCAPE



COMPLETE RH/LH ERGPOWER		
CODE	GROUP	SPECS
EP11-XEXR	XENON	RIGHT / DX 10S
EP11-XEXL	XENON	LEFT / SX
EP11-XE9R	XENON	RIGHT / DX 9S
EP11-XE9L	XENON	LEFT / SX

CHORUS 10S

QS

EC-SR103 (2 pcs)
compatible

R: EC-CH100
L: EC-CH101

R + L: EC-RE600

10-EC-RE030

R: EC-CH547

L: EC-CH448

